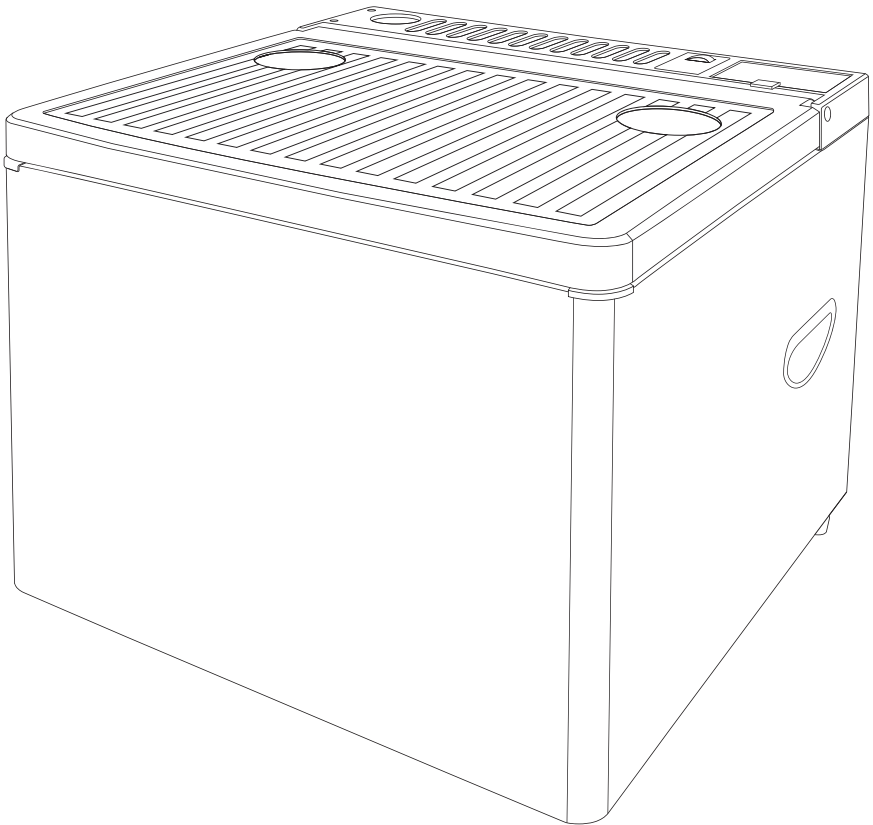




ICE COLD ANYWHERE

**USER MANUAL  
AND PRODUCT  
SPECIFICATIONS**



**SMSP-40(3IN1)**

**40L GAS/12V/220V  
PORTABLE FRIDGE**

# CONTENTS

<b>WARRANTY, SERVICE AND SUPPORT</b>	<b>01</b>
Warranty Registration	
Service and Support	
<b>IMPORTANT SAFETY INFORMATION</b>	<b>02</b>
Before Using Your Appliance	
Critical Safety Information	
<b>PRODUCT FEATURES</b>	<b>04</b>
Specifications	
<b>INSTALLATION INSTRUCTIONS</b>	<b>04</b>
Structure	
Accessories Included	
<b>OPERATING PROCEDURE</b>	<b>07</b>
<b>MAINTENANCE</b>	<b>10</b>
Cleaning	
Storage	
<b>TROUBLESHOOTING</b>	<b>12</b>



## THANK YOU FOR PURCHASING THE SMSP-40(3IN1), 40L GAS/12V/220V PORTABLE FRIDGE

### • WARRANTY, SERVICE AND SUPPORT •

This product has a **7-year warranty on the compressor, 3-year warranty on the unit and 1-year warranty on all parts not listed** from the date of purchase. Warranty does not cover products that have not been used in accordance with the user guide or are outside the warranty terms and conditions, which can be found at the following url:

**<https://snomaster.co.za/warranty/>**

#### WARRANTY REGISTRATION

Register your SnoMaster SMSP-40(3IN1), 40L Gas/12V/220V Portable Fridge now for warranty, and allow us to provide you with the best possible after sales service:

- Please log onto our website at **[www.snomaster.co.za](http://www.snomaster.co.za)**
- Click on the 'Warranty' tab.
- Enter warranty information and upload proof of purchase at the bottom of the page.

#### SERVICE AND SUPPORT

Should an instance arrive where you require assistance, contact our service team:

- Please log onto our website at **[www.snomaster.co.za](http://www.snomaster.co.za)**
- Click on the 'Support' tab.
- Click 'Find a Repair Agent Near You' and enter your region.
- Alternatively contact us via email: **[info@snomaster.co.za](mailto:info@snomaster.co.za)** or contact us on **+27 11 392 5315**.

# IMPORTANT SAFETY INFORMATION

## SM-SP40(3IN1), 40L GAS/12V/220V PORTABLE FRIDGE

**This manual contains important information including safety, installation, maintenance and warranty instructions of the SnoMaster SMSP-40(3IN1), 40L Gas/12V/220V Portable Fridge. Please read this manual carefully before use and follow all safety information and instructions. It is recommended to keep this manual for easy reference so that you are familiar with the operation and maintenance of your appliance.**

---

### NOTE BEFORE USING YOUR APPLIANCE

Before using this appliance, ensure it is correctly positioned and installed as outlined in this manual. Follow these basic precautions to prevent the risk of fire, electrical shock, or injury:

- This appliance is designed for domestic indoor and outdoor use only and suitable for camping and vehicle use on 12V or 220V only.
- When using this appliance with gas (LPG), it should only be used outdoors or well ventilated areas, such as tents (awnings) or flat garden surfaces.
- Ensure that the incline angle of the appliance is not more than 45° during transportation or operation.
- Ensure the appliance is placed on a flat surface.
- Ensure the plug is easily accessible after positioning the appliance.
- Ensure the appliance is well ventilated and the air vents are completely unobstructed.
- This appliance operates on a single-phase voltage of 220-240V ~ 50/60Hz, to avoid electrical surges. It is advised to use a surge protector plug. No surge protection is required on 12v due to the voltage cut-out settings on the appliance.
- A separate earthed 15A socket outlet should be used on 220-240V AC and at least a 120W DC socket on 12V or 24V DC.
- Avoid disconnecting the electric plug with wet hands.
- To disconnect the appliance, grip the plug and pull it from the wall outlet or 12V cigarette outlet. Never pull the plug out by the cord.
- It is advisable is use a dedicated power source and avoid using extension cords.

- Please unplug the appliance or disconnect the power before performing any cleaning, maintenance, or servicing.
- Do not locate multiple portable socket-outlets or portable power supplies at the rear of the appliance.
- When positioning the appliance, ensure the supply cord is not trapped or damaged.
- If the appliance cord is damaged, it must be replaced by SnoMaster, its approved agent, or a similarly qualified person to prevent any hazard.
- Unless specifically recommended in this manual, do not attempt to repair or replace any part of the appliance. All other servicing should be referred to a qualified technician.
- Never clean appliance parts with flammable fluids as they may create a fire hazard or explosion. Also, avoid storing or using petroleum or other flammable vapours and liquids near this appliance.
- Avoid solvent-based cleaning detergents or abrasives on the interior or exterior as they may damage or discolour it.
- Cleaning and maintenance should be supervised by adults, especially if children are involved.
- The exterior of the appliance should not be exposed to water.
- Do not store explosive substances such as aerosol cans with a flammable propellant in this appliance.
- Ensure all packaging materials, stickers, and films are removed from the appliance. Clean the appliance surfaces with a mild detergent and a damp cloth before initial use.
- Before connecting the appliance to a power source, let it stand upright for approximately 12 hours. This measure helps minimise the risk of a cooling-system malfunction that might occur due to handling during incorrect transportation.
- Ensure all electrical connections are clean and dry before switching on the appliance.
- Ensure all parts are correctly assembled before operation.



**This appliance contains R717, 70g refrigerant, which is FLAMMABLE and may cause a fire or an explosion.**



## LPG WARNINGS

### FOR YOUR SAFETY

**It is crucial to follow these instructions. Failure to do so may result in fire or explosion, leading to serious injury or property damage.**

- **Gas Supply:** Turn off the gas supply at the cylinder after each use. Parts sealed by the manufacturer or their agent must not be manipulated by the user.
- **Outdoor Use Only:** This fridge is designed for outdoor use only when running on LPG.
- **No Open Flames:** Do not test for gas leaks with an open flame.
- **Ventilation:** Ensure the appliance is always in a well-ventilated area, away from any ignition sources.
- **Gas Hose & Regulator:** The supplied regulator is designed to operate with an outlet pressure of 2.75 kPa and is compatible with 3 to 5 kg gas cylinders. Should the hose or regulator need to be disconnected or replaced, it should be refitted by a qualified professional.
- **Leak Detection:** Check for gas leaks by brushing soapy water over all connections. If bubbles form, there is a leak. Tighten the connections or contact SnoMaster service immediately.
- **After Use:** Always turn off the gas cylinder valve after use.
- **No Indoor Use:** Do not use the appliance indoors if using LPG.

### FOR YOUR SAFETY

- **Use Supplied Components:** Only use the hose assembly and regulator supplied with the appliance. Do not use adapters.
- **Connection to Cylinder:** The gas hose and regulator must be connected to the cylinder properly, avoiding unnecessary twisting of the hose.
- **Inspection:** Regularly inspect the gas hose and regulator for wear and tear. Replace them if necessary.
- **Handling Gas Leaks:** In case of a gas leak, turn off the cylinder, ventilate the area, and check connections. If the leak persists, contact SnoMaster or a certified service agent immediately.

## **FIRE AND EXPLOSION RISKS**

- **Ignition Sources:** Keep the appliance away from sources of ignition, including open flames, electrical equipment, and any items that can spark.
- **In Case of Fire:** If a fire occurs at the appliance, turn off the gas at the cylinder. Use a fire extinguisher or smother the flames with a wet cloth or fire blanket.

## **GAS CYLINDER USE**

- **Cylinder Positioning:** Always keep the gas cylinder in an upright position, whether in use or storage.
- **Cylinder Storage:** Store gas cylinders outdoors in a well-ventilated area, away from children. Never store gas cylinders indoors, including in garages or vehicles.

## **CLEARANCES**

- **Minimum Distance:** Ensure a minimum clearance of 600mm from combustible materials around the appliance.



## **WHEN DISPOSING THE APPLIANCE**

### **Please observe the following instructions:**

- Always ensure the appliance is out of reach of children. Before disposing of it, damage the body and detach the lid to prevent children from climbing inside, ensuring their safety.
- Follow the instructions of your local regulations when disposing of the appliance.

# PRODUCT FEATURES

**3 OPERATION MODES: UNIVERSAL LPG, 12V DC AND 220V AC | THERMOSTAT CONTROLLED ON 220V POWER | INDICATORS TO SHOW METHOD OF OPERATION | SUPERIOR ABSORPTION TECHNOLOGY (QUIET OPERATION)**

---

## SPECIFICATIONS:

- **Dimensions (mm) Unit:** (H) 442 x (L) 500 x (W) 493
  - **Dimensions (mm) Packaged:** (H) 495 x (L) 530 x (W) 555
  - **Storage Volume:** 40L
  - **Temp Range:** 5°C to 10°C
  - **Net Weight:** 17.5Kg
  - **Insulation:** Cyclopentane
  - **Refrigerant:** R717, 70g
  - **Rated Voltage:** AC 220 - 240V ~ 50/60Hz / DC 12V
  - **Rated Power Input:** AC 75W / DC 75W
  - **Gas Consumption:** 14.2g/h (Butane/Propane Mix) - LPG Gas
  - **Nominal Heat Input:** 0.2KW
  - **Gas Category:** I<sub>3</sub> + B/P (28-30/37)
  - **Applicable Gas Pressure:** Butane (G30): (28-30)mbar, Propane (G31): 37mbar
  - **Design Criteria:** Engineered for the African Climate
- 

# INSTALLATION INSTRUCTIONS

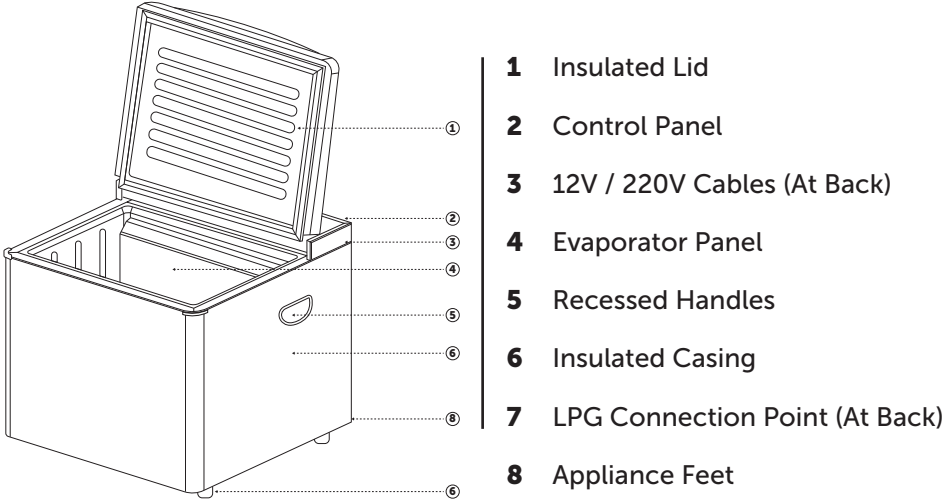


Before installing your new appliance, please read all safety instructions in this manual and follow the installation instructions below:

- **Removing Packaging:** Ensure all packaging materials, stickers, and films are removed from the appliance before installation or use.
- **Positioning and Leveling:** Place the appliance on a level, sturdy surface to ensure optimal performance and stability.
- **Air Circulation:** Maintain at least 150mm clearance around the appliance for proper air circulation and to prevent overheating.
- **Tilt and Transport:** When transporting the appliance, avoid tilting it beyond a 45-degree angle from its upright position to prevent damage.



# STRUCTURE

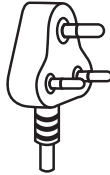


## INTEGRATED POWER SOURCES AND CONNECTIONS

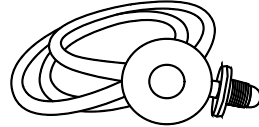
This appliance operates on the following built-in power sources and connections, which are pre-installed and ready for use. Please verify that all integrated connections are securely attached and ready for operation before using the appliance:



12V DC  
POWER CABLE



220V AC  
POWER CABLE



LPG GAS HOSE  
AND REGULATOR

## OPERATING PROCEDURE

### OPERATING USING MAINS (220V/50HZ)

- **Positioning:** Ensure the appliance is correctly positioned; and as level as possible on a flat and stable surface with adequate ventilation. Maintain at least 150mm of clearance on all sides to ensure proper air circulation.
- **Connecting to Power:** Insert the power plug into a dedicated 220V/50Hz outlet. Ensure the outlet is earthed and that no other high-consumption appliances share the same circuit to avoid overloads.

- **Turning On the Appliance:** Use the control panel to switch on the appliance. Allow the appliance to run for a few hours to reach the desired temperature before placing any items inside.
- **Monitoring:** Regularly check the digital display for the current temperature. Adjust the settings as needed to maintain optimal cooling performance.

### **OPERATING THE APPLIANCE USING 12V DC**

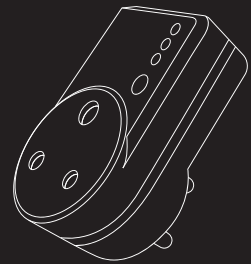
- **Connection:** Ensure the appliance is placed on a stable, level surface. Connect the DC power cord to the vehicle's 12V DC outlet.
- **Power On:** Switch on the appliance using the control panel.
- **Temperature Control:** Adjust the desired temperature using the controls on the appliance.
- **Operation:** The appliance will operate using the vehicle's 12V power supply, cooling the internal compartment.

### **OPERATING USING GAS BOTTLE (LPG):**

- **Outdoor Use Only:** Ensure that the appliance is used outdoors or in a well-ventilated area when operating on LPG.
- **Connecting the Gas Bottle:** Attach the gas hose and regulator to the gas bottle. The hose and regulator should be installed by a qualified professional and must have an outlet pressure of 2.75 kPa. Check for leaks using a soapy water solution—never use an open flame to detect gas leaks.
- **Turning On The Appliance:** Open the gas valve slowly to avoid pressure surges. Ignite the appliance using the ignition switch, following the manufacturer's instructions.
- **Monitoring:** Regularly check the appliance for any gas leaks and ensure the flame is steady and blue. If any issues arise, immediately turn off the gas and consult a professional.
- **Turning Off the Appliance:** Close the gas valve first before switching off the appliance to ensure no residual gas remains in the hose.

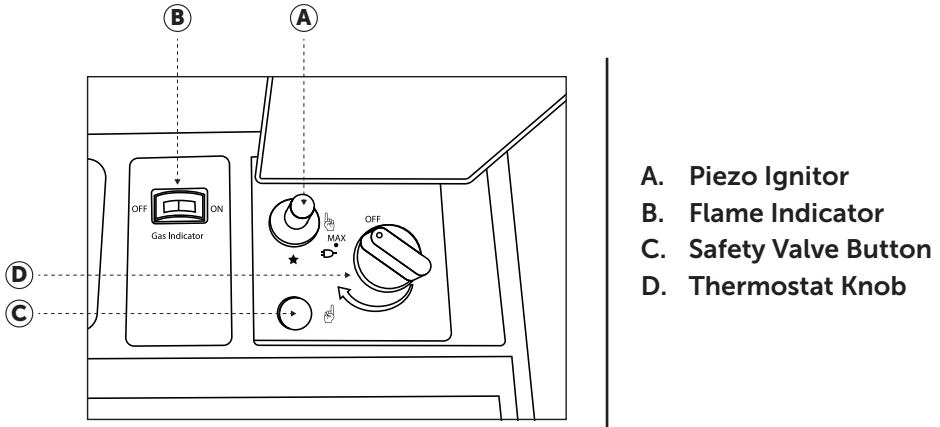
## **SURGE PROTECTOR PLUG**

**To avoid electrical surges, it is advised to use a surge protector plug.** (Please note that this must be purchased separately and does not come with the unit.)



# THERMOSTAT INSTRUCTIONS

The thermostat controls the internal temperature of your SnoMaster SMSP-40(3IN1) portable fridge. Ensure that the thermostat is properly set to maintain optimal cooling performance.



## ADJUSTING THE TEMPERATURE WITH ELECTRIC THERMOSTAT

To adjust the temperature using the electricity thermostat:

- Turn the thermostat knob to your desired setting.
- For colder temperatures, turn the knob towards the higher numbers. For less cooling, turn the knob towards the lower numbers.
- Allow the unit to run for a few hours to stabilise at the new temperature setting.
- Monitor the temperature using the built-in thermometer to ensure it is within the desired range.

## USING THE REFRIGERATOR (PIEZOELECTRIC IGNITION)

The Piezoelectric Ignition is used to ignite the gas flame when operating the fridge on LPG:

- **Gas Connection:** Ensure the gas cylinder is connected securely to the refrigerator. The hose and regulator must be attached properly, with no leaks present.
- **Ignition Process:** Press the "C" button for 15 seconds to purge any air from the gas pipeline. After that, continuously press the "A" button until the pointer at "B" moves from the red zone to the green zone. Once this happens, hold the "C" button for an additional 10-15 seconds before releasing it. The refrigerator is now ready for use.

- **Adjusting the Flame:** Once the flame is lit, you can adjust the thermostat knob to control the cooling level. Higher settings will provide colder temperatures.
- **Safety Check:** Ensure that the flame remains steady and that there are no leaks. If the flame goes out, repeat the ignition process.

## ENERGY-SAVING RECOMMENDATIONS

For best performance:

- Pre-cool the fridge using AC power before switching to gas or DC mode.
- Keep the fridge in a shaded, well-ventilated area to avoid overheating.
- Avoid frequent opening of the fridge door to maintain a stable internal temperature.
- Regularly check the gas level and connections to ensure continuous operation.
- When operating in gas mode, ensure proper ventilation to avoid the accumulation of unburnt gas.

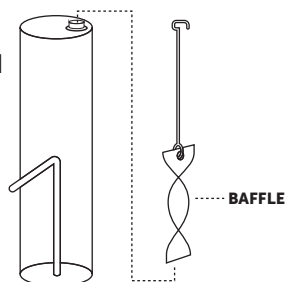
---

## MAINTAINENCE

For your safety, always unplug the appliance before performing any maintenance or cleaning tasks.

### FLUE MAINTENANCE

To maintain optimal performance, it's important to periodically clean the flue. Begin by unscrewing and removing the flue baffle as shown in the image (located at the back of the appliance). Once removed, thoroughly clean the flue to ensure there are no blockages or buildup that could impair the refrigerator's efficiency. After cleaning, securely reattach the flue baffle to its original position.



### DEFROSTING

- Turn off the fridge and unplug it from the power source.
- Remove all contents and allow any ice that has formed to melt naturally.
- Wipe the interior with a soft cloth to remove any moisture.

## **INTERIOR CLEANING**

- Empty the appliance of all items. Clean removable parts with soap and water by hand; they are not dishwasher safe.
- Use a solution of warm water and baking soda/bicarbonate of soda (15 ml per liter) to clean the interior. Avoid abrasive materials and harsh detergents.
- Do not use sharp implements to dislodge ice build-up.
- Rinse with clean water and dry thoroughly.

## **EXTERIOR CLEANING**

- Avoid cleaning the appliance with sharp tools and high-pressure water spray/jets.
- Avoid pouring running water over the exterior of the appliance.
- Wipe the exterior of the appliance with warm, soapy water without using abrasive cleaners.
- Periodically dust off the condenser with a brush or vacuum to prevent dust accumulation that could impair efficiency and increase power use.

## **MAINTENANCE**

- Regularly inspect the seals and gaskets to ensure they are intact and sealing properly.
- Check the gas connections and hose for any signs of wear or leaks.
- Keep the condenser coils free of dust and debris to ensure efficient cooling.

## **FOOD STORAGE**

- Limit lid openings to maintain temperature and save energy.
- Do not overfill the appliance to ensure proper air circulation around food items.
- Keep vents clear to allow proper airflow.

## **STORAGE**

Before storing the appliance, please remove any food items and turn off the power by either unplugging the fridge or adjusting the temperature control to the OFF position. Clean the interior with a solution made by dissolving one tablespoon of baking soda / bicarbonate of soda in 1 liter of water. Once cleaned, leave the lid(s) open to ventilate the interior.

# TROUBLESHOOTING

Should you experience any issues with your appliance and the below troubleshooting tips do not resolve the fault experienced, kindly contact SnoMaster Service Department or your nearest accredited Service Agent:

PROBLEM	PROBLEM POSSIBLE CAUSE / MEASURE
Appliance is not turning on	<ul style="list-style-type: none"> <li>• Check if the appliance is correctly switched on.</li> <li>• Check if plug is not faulty or damaged.</li> <li>• Check if voltage is correct.</li> <li>• Check the gas supply and that there is sufficient gas in the cylinder</li> </ul>
Temperature within the appliance is not getting cold enough	<ul style="list-style-type: none"> <li>• Check that the appliance is not overloaded.</li> <li>• Check if appliance is not placed in direct sunlight.</li> <li>• Check if lid is closed completely/ not frequently opening the appliance.</li> <li>• Check if the appliance has the correct clearances at the sides/back.</li> </ul>
Temperature within the appliance is too cold	<ul style="list-style-type: none"> <li>• Please relocate the appliance to a warmer area, preferably at room temperature.</li> <li>• Not enough ventilation around the unit.</li> <li>• Check if Thermostat is set to the correct temperature</li> </ul>
Moisture forms on the inside/ outside walls of the appliance	<ul style="list-style-type: none"> <li>• Hot and humid weather usually in the coastal locations increases the internal rate of condensation. This is normal.</li> <li>• Set the temperature to a higher setting to avoid condensation.</li> <li>• Condensation may occur seasonally depending on humidity and ambient temperature.</li> <li>• Open the door less frequently and ensure it is closed properly at all times.</li> </ul>
Exterior of appliance is wet	<ul style="list-style-type: none"> <li>• Condensation will form on the outside of the appliance if it operates in humid areas or in the rainy season, simply wipe it dry with a non-abrasive cloth.</li> </ul>

# TROUBLESHOOTING

PROBLEM	PROBLEM POSSIBLE CAUSE / MEASURE
Smell/Odour	<ul style="list-style-type: none"> <li>• Check for spillages inside the appliance. You may need to remove all contents and check that no spillages have settled underneath them.</li> <li>• Double check if all foods and drinks in the appliance have not expired. If they have expired, then they should be removed immediately.</li> <li>• Placing charcoal in the appliance for a while can also help eliminate the smell/odour.</li> </ul>
Ignition Failure (Gas Mode)	<ul style="list-style-type: none"> <li>• Make sure there is sufficient gas in the cylinder</li> <li>• Check for any blockages in the gas lines.</li> <li>• Verify that the ignition button is working correctly.</li> <li>• Ensure the Gas hose and guage have been properly installed.</li> </ul>
Unusual noises/ Gurgling or Crack- ing Noises	<ul style="list-style-type: none"> <li>• Ensure appliance is positioned level on the ground.</li> <li>• Caused by the flow of refrigerant when each cooling cycle ends.</li> <li>• Check if there is enough spacing around the appliance and ensure it is not touching other items.</li> <li>• This is normal, as the appliance makes a sound when the unit is expanding and contracting along its walls.</li> <li>• The pipes might be touching or some parts came loose, please contact a service agent.</li> </ul>



**ICE COLD ANYWHERE**

**JOHANNESBURG LIFESTYLE  
CENTRE & SERVICE CENTRE**

49 Koornhof Road  
Meadowdale  
Germiston, 1614  
011 392 5315 / 3147  
info@snomaster.co.za

**CAPE TOWN LIFESTYLE CENTRE  
& SERVICE CENTRE**

31 Stella Road  
Montague Gardens  
Cape Town, 7441  
021 100 5695  
info@snomaster.co.za

---

**snomaster.co.za**

---



@SnoMasterSA



SnoMaster SA



snomaster\_south\_africa



@SnoMaster