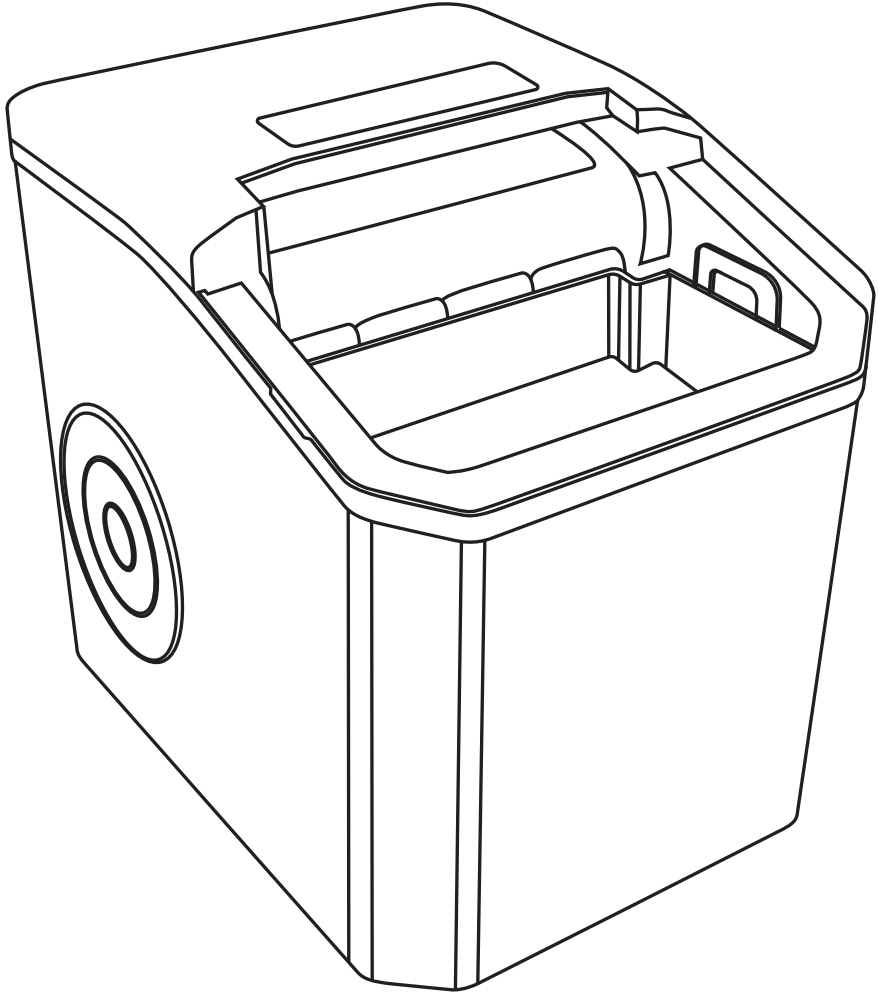




**USER MANUAL  
AND PRODUCT  
SPECIFICATIONS**

ICE COLD ANYWHERE



**ZBC-14**

**12KG/24HR  
ICE-MAKER**



# CONTENTS

|   |           |
|---|-----------|
| <b>WARRANTY, SERVICE AND SUPPORT</b>        | <b>01</b> |
| Warranty Registration                       |           |
| Service and Support                         |           |
| <b>IMPORTANT SAFETY INFORMATION</b>         | <b>02</b> |
| Before Using Your Appliance                 |           |
| Critical Safety Information For Your Safety |           |
| <b>INSTALLATION INSTRUCTIONS</b>            | <b>04</b> |
| Water                                       |           |
| Accessories Included                        |           |
| Control Panel                               |           |
| <b>MAINTENANCE</b>                          | <b>07</b> |
| Cleaning the Interior                       |           |
| Cleaning the Exterior                       |           |
| <b>ENERGY SAVING TIPS</b>                   | <b>07</b> |
| <b>TROUBLESHOOTING</b>                      | <b>08</b> |
| <b>PARTS LIST</b>                           | <b>11</b> |



## THANK YOU FOR PURCHASING THE ZBC-14, 12KG/24HR ICE-MAKER

### • WARRANTY, SERVICE AND SUPPORT •

This product is warranted for **2-years from the date of purchase**. Warranty does not cover products that have not been used in accordance with the user guide or are outside the warranty terms and conditions, which can be found at the following url:

**<https://snomaster.co.za/warranty/>**

#### WARRANTY REGISTRATION

Register your SnoMaster ZBC-14, 12Kg/24Hr Ice-Maker now for warranty, and allow us to provide you with the best possible after sales service:

- Please log onto our website at **[www.snomaster.co.za](http://www.snomaster.co.za)**
- Click on the 'Warranty' tab.
- Enter warranty information and upload proof of purchase at the bottom of the page.

#### SERVICE AND SUPPORT

Should an instance arrive where you require assistance, contact our service team:

- Please log onto our website at **[www.snomaster.co.za](http://www.snomaster.co.za)**
- Click on the 'Support' tab.
- Click 'Find a Repair Agent Near You' and enter your region.
- Alternatively contact us via email: **[info@snomaster.co.za](mailto:info@snomaster.co.za)** or contact us on **+27 11 392 5315**.

# IMPORTANT SAFETY INFORMATION

## ZBC-14, 12KG/24HR ICE-MAKER

**This manual contains important information including safety, installation, maintenance and warranty instructions of the SnoMaster ZBC-14, 12Kg/24Hr Ice-Maker.**

**Please read this manual carefully before use and follow all safety information and instructions. It is recommended to keep this manual for easy reference so that you are familiar with the operation and maintenance of your appliance.**

---

### **CRITICAL SAFETY INFORMATION FOR YOUR SAFETY**

Before using this appliance, ensure it is correctly positioned and installed as outlined in this manual. Follow these basic precautions to prevent the risk of fire, electrical shock, or injury:

- This appliance is designed for domestic indoor use only and is exclusively intended for making ice.
- Ensure that the incline angle of the appliance is not more than 45° during transportation or operation.
- Before using your appliance for the first time, you should wait about 12 hours after positioning it in a place.
- The appliance needs to be levelled for optimal operation. You can adjust the appliance feet to level it +/- 10mm.
- Ensure the plug is easily accessible after positioning the appliance.
- Avoid connecting or disconnecting the electric plug with wet hands.
- To disconnect the appliance, grip the plug and pull it from the wall outlet. Never pull out the plug by the cord.
- It is advisable to use a dedicated power source and avoid using extension cords.

- Please unplug the appliance or disconnect the power before performing any cleaning, maintenance, or servicing.
- If the appliance power supply cord is damaged, it must be replaced by SnoMaster, its approved agent, or a similarly qualified person to prevent any hazard.
- It is recommended that the circuit breaker size should be no more than 20 amps.
- This appliance operates on a single-phase voltage of 230V/50Hz, to avoid electrical surges, it is advised to use a surge protector plug.
- Cleaning and maintenance should be supervised by adults, especially if children are involved.
- The appliance should be placed on a flat surface and should be completely unobstructed. Ensure to leave 150mm space around the appliance to ensure proper ventilation for the appliance. Place the appliance away from direct sunlight and heat sources (stove, heater, radiator, etc.).
- Unless specifically recommended in this manual, do not attempt to repair or replace any part of the appliance. All other servicing should be referred to a qualified technician.
- Never clean appliance parts with flammable fluids as they may create a fire hazard or explosion. Also, avoid storing or using petroleum or other flammable vapours and liquids near this appliance.
- Avoid solvent-based cleaning detergents or abrasives on the interior or exterior as they may damage or discolour it.



**This appliance contains CYCLOPENTANE and R600a refrigerant , which is FLAMMABLE and may cause a fire or an explosion.**



## **WHEN DISPOSING THE APPLIANCE**

**Please observe the following instructions:**

- Always ensure the appliance is out of reach of children. Before disposing of it, damage the body.
- Follow the instructions of your local regulations when disposing.

# PRODUCT FEATURES

**BULLET ICE | 2 BULLET ICE TYPE SELECTION | 9 ICE BULLETS PER CYCLE | PORTABLE | DIGITAL CONTROL PANEL | ICE SCOOP & BASKET INCLUDED | ICE FULL SENSOR | COLOUR: WHITE**

---

## SPECIFICATIONS:

- **Dimensions (mm) Unit:** (H) 285 (L) 225 (W) 294
  - **Dimensions (mm) Packaged:** (H) 330 (L) 342 (W) 317
  - **Ice Storage Volume:** 0.6Kg
  - **Net Weight:** 6.36Kg
  - **Ice Making Capacity:** 12Kg/24h
  - **Voltage:** 190-250V/60Hz
  - **Total Input Power:** 85W
  - **Rated Current:** 0.55A
  - **Suggested Applications:** Office, Apartment, Kitchen, B&B, Home Bar
  - **Design Criteria:** Engineered for the African Climate
- 

# INSTALLATION INSTRUCTIONS



Before installing your new appliance, please read all safety instructions in this manual and follow the installation instructions below:

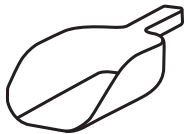
- Remove the appliance from the box, ensure all packaging materials, stickers and films are removed from the product. Clean the appliance's surfaces with a mild detergent and a damp cloth before initial use.
- Clean the inner liner, ice basket, water storage tank, water box ice pusher and evaporator with a mild detergent and damp cloth before initial use.
- Ensure the appliance is placed on a level, sturdy surface.
- **Caution:** Installing the appliance on carpeting may lead to discoloration due to heat emission from the compressor.
- Ensure adequate air circulation for the appliance by maintaining a clearance of at least 150mm on all sides.

## WATER

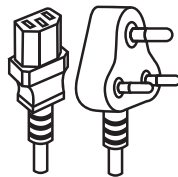
- Water treated with reverse osmosis purification often gives a false water indicator. You can add a pinch of salt to correct this, or rather use filtered mineralized water.
  - Ice cycle time is dependent on water temperature.
  - Clean and drain the appliance at least once or twice a month. Lemon juice or 10ml vinegar can be added to the water to help the cleaning process.
  - To prevent lime build-up it is advised to clean the appliance with a descaling liquid once a month, dependent on the water quality in your area.
- 

## ACCESSORIES INCLUDED

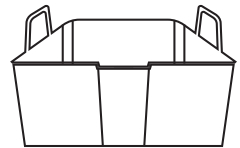
**Please Check If All The Accessories Shown Below Are Included:**



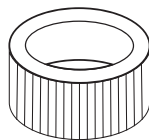
1 x ICE SCOOP



1 x 220V POWER CORD



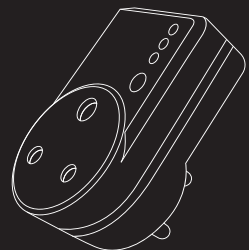
1x ICE BASKET



1 X DRAIN CAP

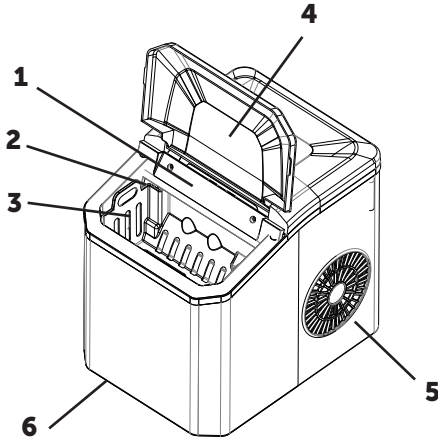
## SURGE PROTECTOR PLUG

**To avoid electrical surges, it is advised to use a surge protector plug.** (Please note that this must be purchased separately and does not come with the unit.)



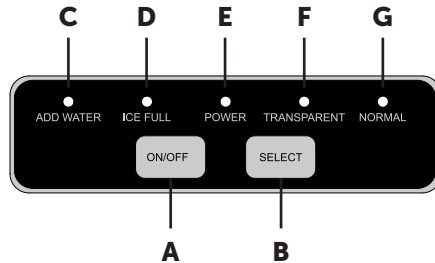


## STRUCTURE



- 1 Ice Pusher
- 2 Ice Full Sensor
- 3 Ice Basket
- 4 See-Through Lid
- 5 Air Outlet Grid
- 6 Drain Plug

## CONTROL PANEL



- |                               |                              |                                    |
|-------------------------------|------------------------------|------------------------------------|
| <b>A</b> ON/OFF Button        | <b>C</b> Add Water Indicator | <b>E</b> Power Indicator           |
| <b>B</b> Ice Type Selection   | <b>D</b> Ice Full Indicator  | <b>F</b> Transparent Ice Indicator |
| <b>G</b> Normal Ice Indicator |                              |                                    |

## OPERATION INSTRUCTIONS

- Place the Ice Basket inside the appliance.
- Ensure that the water drain cap is secure.
- Fill the water tank with drinkable water only, ensuring that the water level does not exceed the bottom of the ice basket. It is advisable to change/replace the water every 24 hours.
- Connect the appliance to a dedicated power source.
- Short press the power button to power the the appliance on.
- The power indicator light will be illuminated.

- To change the ice bullet type, press the 'Select' button to choose your bullet ice type preference (Transparent or Normal).
- The appliance will now start producing ice. \*Time between ice making cycles will vary depending on the ambient and water temperature.
- Let the ice-maker run a few cycles so that it can fully calibrate.
- Once this has all been done, the ice-maker will start to produce ice.
- When the ice basket is full, the 'Ice' indicator light will illuminate. You can either remove ice and store, or the ice will melt into the water tank for water recycling.
- When the water level is low or water tank is empty, the 'Water Low' indicator light will illuminate. You will need to add water to water tank.
- Automatic Cleaning Function: When the ice-maker has not been in use for long periods of time, drain all water from tank via the drain plug and while the ice-maker is in standby mode, press the 'Power' button for 3 seconds until the 'Ice Full' and 'Power' indicator lights flash simultaneously, indicating that the automatic cleaning function has now started, which lasts for 20 minutes. To stop the cleaning cycle, press the 'Power' button for 1 second. After cleaning, the excess water must be drained from the bottom of the appliance via the drain plug.

---

### **SWITCHING THE APPLIANCE OFF:**

- Wait for the current ice cycle to finish and press the 'Power' button.
- Unplug the appliance from the power source.

---

## **MAINTAINENCE**

**To ensure safety, remember to always disconnect the appliance from the power supply before performing any form of maintenance or cleaning.**

### **INTERNAL CLEANING**

- Empty the water tank using the drain plug at bottom of the appliance.
- Wipe the interior dry and use a damp cloth with warm water and a mild detergent. Avoid using any abrasive chemicals.
- Ensure that the interior is completely dry with no water inside.

## **IF THE APPLIANCE IS USED CONSISTENTLY, ENSURE THE WATER IS CHANGED DAILY TO PREVENT ALGAE BUILD UP.**

### **EXTERNAL CLEANING**

- Dust the compressor at the back of the appliance with a brush or vacuum cleaner periodically, as dust build-up may affect the performance of the appliance.
- Avoid using sharp objects, high-pressure water jets or abrasive materials when cleaning the appliance.
- It is advisable to use a silicon based stainless steel polish cleaner to clean the exterior of the appliance.

## **ENERGY SAVING TIPS**

Place the appliance in the coolest area of the room, away from any heat-producing appliances and out of direct sunlight.

## **TROUBLESHOOTING**

Should you experience any issues with your appliance and the below troubleshooting tips do not resolve the fault experienced, kindly contact SnoMaster Service Department or your nearest accredited Service Agent:

| <b>PROBLEM</b>   | <b>PROBLEM POSSIBLE CAUSE / MEASURE</b>  |
|--|--|
| Ice-maker is not turning on                                  | <ul style="list-style-type: none"><li>• Check if the ice-maker is correctly switched on.</li><li>• Check if there has not been loadshedding or a power cut.</li><li>• Check if plug is not faulty or damaged.</li><li>• Check if voltage is correct.</li><li>• Make sure you have followed the installation requirements correctly.</li></ul>          |
| Ice-maker is only producing small or medium ice              | <ul style="list-style-type: none"><li>• The first few cycles could take 13 to 16 minutes per cycle, depending on the ambient temperature. Move the ice-maker to a cooler area, out of direct sunlight.</li><li>• Water pump is faulty and needs to be repaired or replaced.</li></ul>  |
| Moisture forms on the inside/ outside walls of the ice-maker | <ul style="list-style-type: none"><li>• Hot and humid weather usually in the coastal locations increases the internal rate of condensation. This is normal.</li><li>• Condensation may occur seasonally depending on humidity and ambient temperature.</li><li>• Open the lid less frequently and ensure it is closed properly at all times.</li></ul> |

# TROUBLESHOOTING

| PROBLEM   | PROBLEM POSSIBLE CAUSE / MEASURE  |
|---|---|
| Exterior of ice-maker is wet  | <ul style="list-style-type: none"> <li>• Condensation will form on the outside of the ice-maker if it operates in humid areas or in the rainy season, simply wipe it dry with a non-abrasive cloth.</li> </ul>  |
| The power indicator light is on and the compressor is working abnormally with a buzzing noise | <ul style="list-style-type: none"> <li>• The voltage is too low.</li> <li>• Restart the ice-maker after 3 minutes to not damage the compressor.</li> </ul>  |
| "Water Low" indicator light is on   | <ul style="list-style-type: none"> <li>• Fill ice-maker with water and it will restart to work automatically.</li> <li>• Add a pinch of salt if using reverse osmosis water.</li> <li>• Clean the water level sensor screws with fine grit sandpaper.</li> </ul>  |
| "Ice Full" indicator light is on  | <ul style="list-style-type: none"> <li>• Ice basket is full. Remove some ice.</li> <li>• Temperature inside is too low and only deactivates if above 10 degrees move to warmer area.</li> <li>• Use lukewarm water.</li> </ul>  |
| The 'Ice Full' indicator light is flashing  | <ul style="list-style-type: none"> <li>• Power off the ice-maker and check the interior for any obstructions or ice that could be blocking the ice pusher. Restart the appliance after 3 to 5 minutes.</li> <li>• While the ice-maker is turned off, recalibrate the ice-maker by gently pushing the ice pusher into the default resting position and then restart the ice-maker after 3 to 5 minutes again.</li> <li>• The water box motor is faulty and needs to be repaired/replaced.</li> </ul> |
| Compressor is running but no ice is being made  | <ul style="list-style-type: none"> <li>• Clean the water tank and check if there is any debris blocking inside the water tank.</li> <li>• Check if the fan is working.</li> <li>• The solenoid valve needs to be replaced.</li> </ul>   |
| The control panel lighting does not work  | <ul style="list-style-type: none"> <li>• Ensure the ice-maker is plugged in to a dedicated power source.</li> <li>• Check the interior for any obstructions or ice that could be blocking the ice pusher. Restart the ice-maker after 3 to 5 minutes.</li> <li>• The fuse on the main relay board needs to be replaced.</li> </ul>  |

# TROUBLESHOOTING

| <b>PROBLEM</b>               | <b>PROBLEM POSSIBLE CAUSE / MEASURE</b>  |
|------------------------------|--|
| Ice is not forming           | <ul style="list-style-type: none"><li>• Possible gas leak.</li><li>• Replace filter drier.</li></ul>   |
| Ice is forming a solid block | <ul style="list-style-type: none"><li>• The water temperature is too low, move the ice-maker to a warmer area or use luke warm water.</li><li>• The ice timer is faulty.</li><li>• The condenser sensor is faulty and needs to be replaced.</li><li>• Select smaller ice size options.</li></ul> |



**ICE COLD ANYWHERE**

**JOHANNESBURG LIFESTYLE  
CENTRE & SERVICE CENTRE**

49 Koornhof Road  
Meadowdale  
Germiston, 1614  
011 392 5315 / 3147  
info@snomaster.co.za

**CAPE TOWN LIFESTYLE CENTRE  
& SERVICE CENTRE**

31 Stella Road  
Montague Gardens  
Cape Town, 7441  
021 100 5695  
info@snomaster.co.za

---

**snomaster.co.za**

---



@SnoMasterSA



SnoMaster SA



snomaster\_south\_africa



@SnoMaster