



WINE COOLER



INSTRUCTION MANUAL

COMPRESSOR WINE COOLER

VT-19D VT-41 VT-46 VT-155Bev

SnoMaster CC
49 Koomoff Road, Meadowdale, South Africa.1614
Tel:(011) 392 5315 Website:www.snomaster.co.za

*This manual contains important information including **safety and installation instructions** of the appliances. Please read it carefully before use and follow all safety information & instructions. It is recommended to keep this manual for easy reference so that you can be familiar with the operation of the appliance.*

--CONTENTS--

IMPORTANT SAFETY INFORMATION	1
STRUCTURE AND INSTALLATION.....	3
ACCESSORY INSTALLATION BEFORE OPERATING	5
OPERATING THE WINE COOLER	6
CARE AND MAINTENANCE	11
TROUBLESHOOTING.....	12
REVERSE THE DOOR SWING	13
HOW TO REVERSE THE DOOR HANDLE (OPTIONAL)	20


Note:

- *The A-weighted emission sound pressure level of this appliance is below 70 dB(A)*
- *Instructions also can be available via the website www.snomaster.co.za*

IMPORTANT SAFETY INFORMATION

Before using the appliance, please properly position and install it as described in this manual. To avoid the risk of fire, electrical shock, or injury when using the appliance, follow these basic precautions:

- This appliance is for commercial purposes and is intended to be used exclusively for the storage of sealed bottled wines and beverages.
- The appliance must be positioned so that the plug is accessible.
- Make sure the voltage/current marked on the rating label corresponds with your supply voltage. Plug into a grounded 3-pin outlet, do not remove grounding pin, do not use an adapter, and do not use an extension cord.
- Do not connect or disconnect the electric plug with wet hands.
- To disconnect the appliance, grip the plug and pull it from the wall outlet. Never pull out by the cord.
- It is recommended that a separate circuit, serving only your appliance be provided.
- Unplug the appliance or disconnect power before cleaning, maintenance or servicing. Failure to do so can result in electrical shock or death.
- If the supply cord is damaged, it must be replaced by the manufacturer or its service agent or a similarly qualified person in order to avoid a hazard.
- The fuse (or circuit breaker) size should be 10 amps or higher.
- To ensure proper ventilation for the appliance, the front of the unit must be completely unobstructed. Locate the unit away from direct sunlight and sources of heat (stove, heater, radiator, etc.).
- **Do not** attempt to repair or replace any part of the appliance unless it is specifically recommended in this manual. All other servicing should be referred to a qualified technician.
- Ensure enough peoples to move and install the appliance to avoid any damage to the appliance or injury to the peoples.
- It is important for the appliance to be leveled in order to work properly. You may adjust the appliance's feet to level it.
- Never clean the appliance parts with flammable fluids which may create a fire hazard or explosion. And do not store or use gasoline or other flammable vapors and liquids in the vicinity of the appliance.
- **Do not** use solvent-based cleaning agents or abrasives on the interior. These cleaners may damage or discolor the interior.
- **Do not** use this appliance for other than its intended purpose.
- **Do not** use electrical appliance inside the appliance.
- The use of attachments not recommended by the manufacturer may be hazardous.
- Please keep the products away from the fire or similar glowing substance before you dispose the appliance.
- GWP(Global Warming Potential): R600a=3

- When you dispose the appliance, take off the door and leave the shelves in place so that children may not easily climb inside. And make sure the coolant circuit, particularly the heat exchanger at the back/bottom of the unit is not be damaged.
-  The recycle symbol on the product or its packaging indicates that this product is not to be handled as normal household waste and it is to be taken to a recycling collection point for electrical and electronic goods.



- **WARNING:** This appliance contains flammable refrigerant material

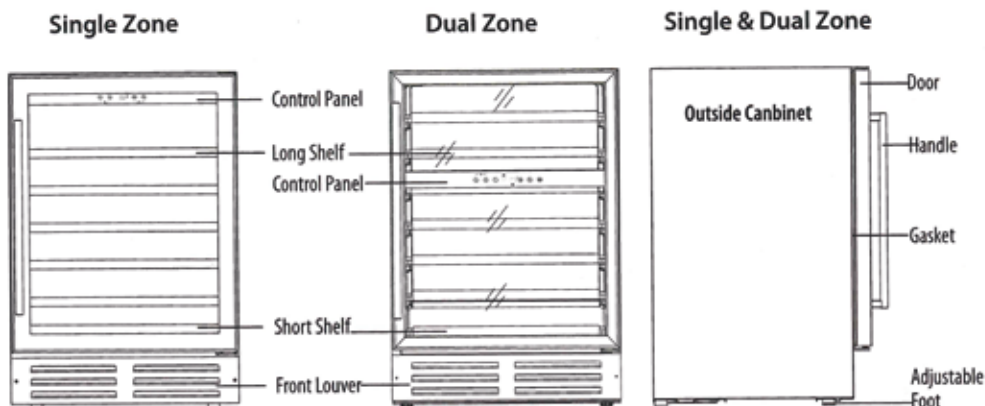
- **WARNING:** When positioning the appliance, ensure the supply cord is not trapped or damaged.
- **WARNING:** Do not locate multiple portable socket-outlets or portable power supplies at the rear of the appliance.
- This appliance is not intended for use by persons (including children) with reduced physical, sensory or mental capabilities, or lack of experience and knowledge, unless they have been given supervision or instruction concerning use of the appliance by a person responsible for their safety.
- Children should be supervised to ensure that they do not play with the appliance.
- **WARNING:** Keep clear of obstruction all ventilation openings in the appliance enclosure or in the structure for building-in.
- **WARNING:** Do not use mechanical devices or other means to accelerate the defrosting process, other than those recommended by the manufacturer.
- **WARNING:** Do not damage the refrigerant circuit.
- **WARNING:** Do not use electrical appliances inside the food storage compartments of the appliance, unless they are of the type recommended by the manufacturer.
- **WARNING:** To avoid a hazard due to instability of the appliance, it must be fixed in accordance with the instructions.
- **WARNING:** Do not store explosive substances such as aerosol cans with a flammable propellant in this appliance.
- **WARNING:** In order to reduce flammability hazards the installation of this appliance must only be carried out by a suitably qualified person.

STRUCTURE AND INSTALLATION

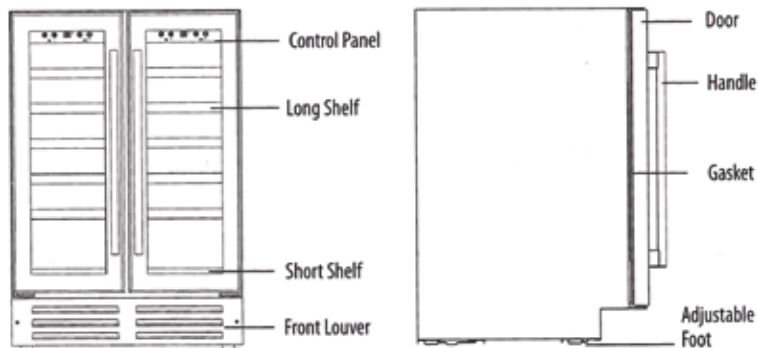
The following pictures only show the structure of the appliance. The dimension and shelf quantity may differ among the models of the same series.

■ BUILT-UNDER SERIES (Built under a kitchen table top)

Model: VT-41, VT-46



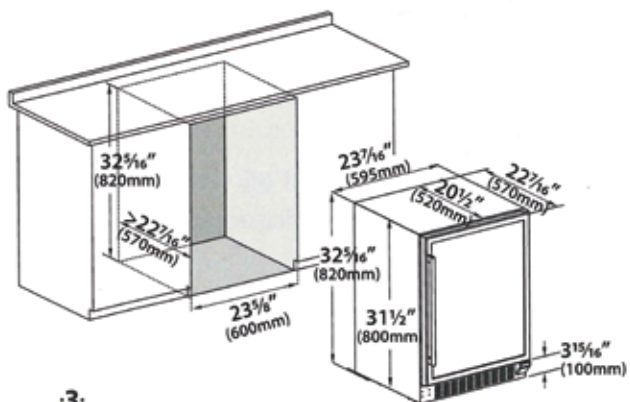
Model: VT-19D



595mm width installation Drawing

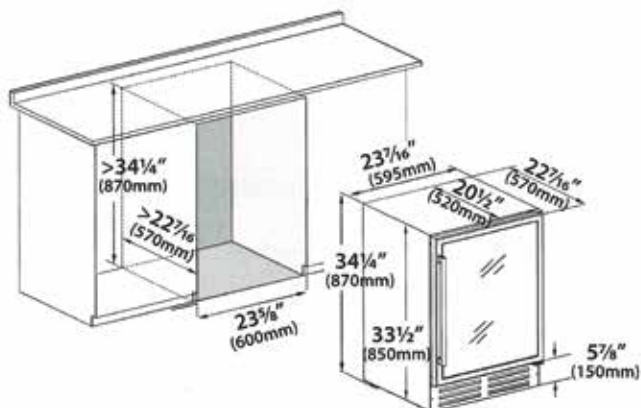
• Height Adjustable: **820-850mm**

Model: VT-41



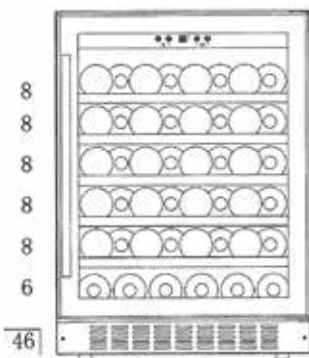
•Height Adjustable: **870-890mm**

Model: VT-46, VT-19D

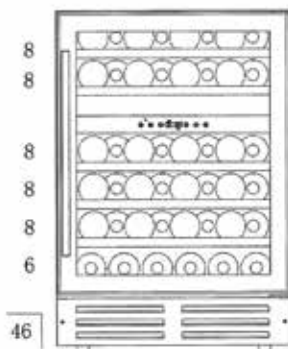


Bottle Loading Layout (maximum loading of total and each shelf)

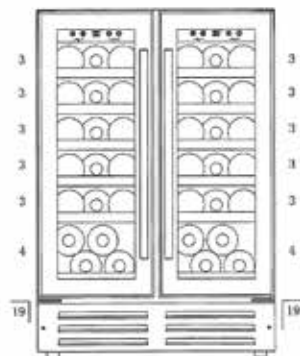
Model: VT-41



Model: VT-46



Model: VT-19D



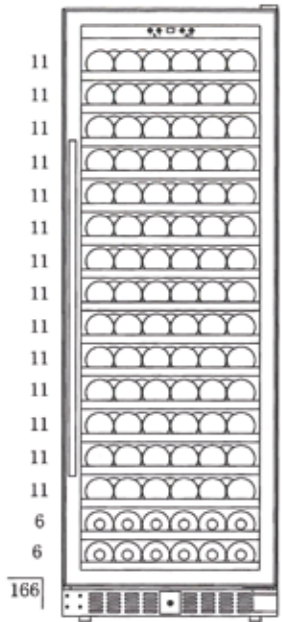
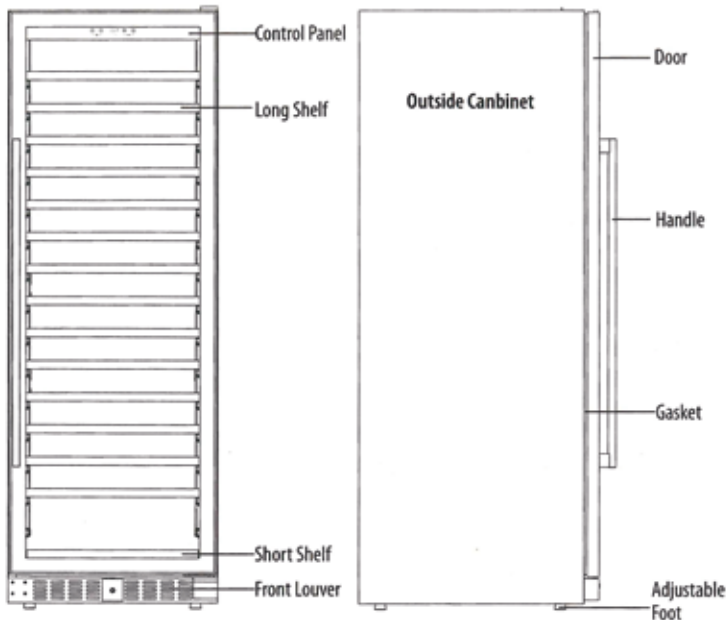
■ FREE-STANDING SERIES

Model: VT-155Bev

Bottle Loading Layout

(maximum loading of total and each shelf)

Structure



ACCESSORY INSTALLATION BEFORE OPERATING

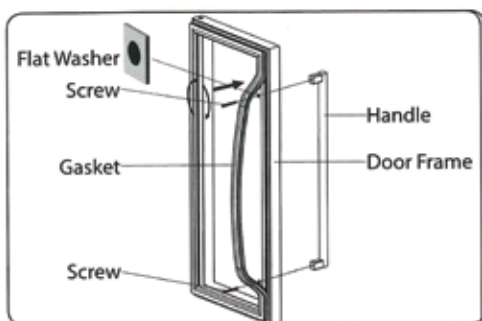
■ UNPACKING AND CLEANING THE WINE COOLER

- Remove the exterior and interior packing materials.
- Let the appliance stand upright for approximately **24 hours** before connecting it to the power source, which helps to reduce the possibility of a cooling-system malfunction from handling during transportation.
- Use a soft cloth to clean the interior surface with lukewarm water.
- Install the door handle provided with the appliance by following these steps:

1st Step Remove the gasket on the internal doorto expose the two screw holes

2nd Step Install the handle with the screws and washers provided

3rd Step Reinstall the gasket



■ LOCK & UNLOCK THE DOOR (FOR OPTION)

- Lock is an optional function. If your Wine Cooler has such function, a key should be attached inside the packing of this Manual.
- Insert the key into the lock and turn it counter-clockwise to unlock the door. To lock it, please turn clockwise. Please save the key well.

OPERATING THE WINE COOLER

■ WORKING CLIMATE

- The appliance is designed for operating under climate class 5 (see below climate class chart). It is recommended to maintain the ambient around 22-25°C which helps the appliance working with low power consumption.

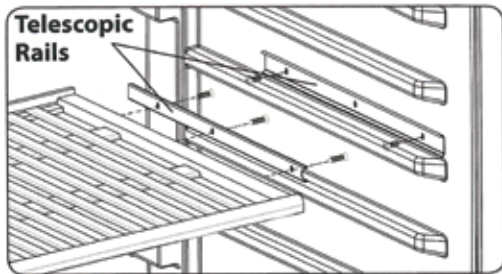
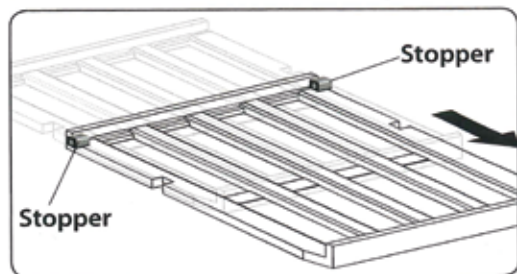
Climate Class	Ambient Temperature
5	18 - 43 °C (64°F-109°F)

- If the ambient temperature is above or below the designed climate range, the performance of the unit may be affected. For example, the appliance operating in extreme cold or hot conditions may cause interior temperatures to fluctuate, and the temperature set 2-20°C may not be reached sometimes.

■ WINE STORAGE

- The standard shelves are designed perfectly for Bordeaux bottle storage. The maximum loaded bottles may vary subject to the different size or dimension wine bottles you store. For the maximum loading of each shelf, please refer to the Bottle Loading Layout of the installation figures.
- The shelves can be pulled out by 1/3 approximately for easy access to the wine storage. There are two designs for the pull-out shelves:

1. The shelves are without telescopic rails, but with a plastic **Stopper** on each sides of the shelf track to prevent bottles from falling.
2. The shelves are with **Telescopic Rails** which has stoppers by themselves.

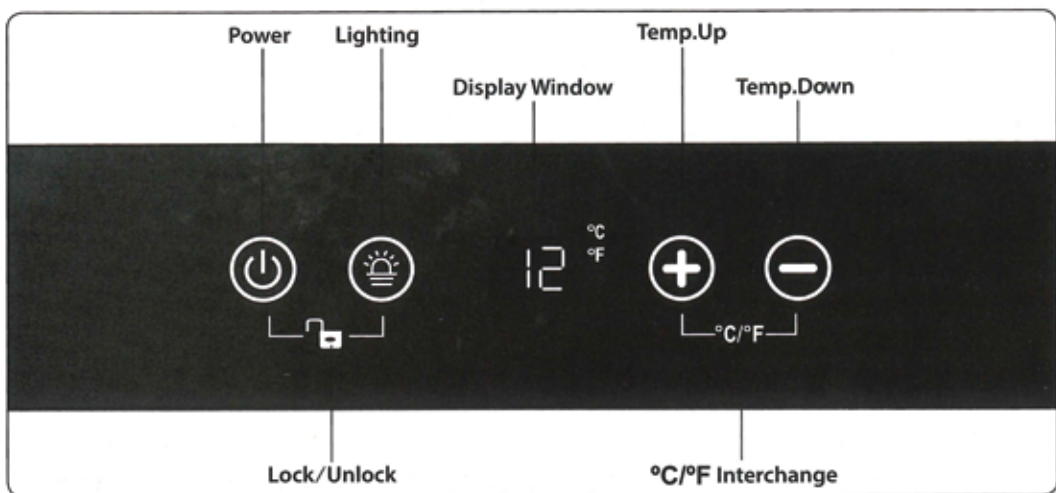


- To prevent damaging the door gasket, make sure to have the door opened fully all the way before pulling the shelves out.
- Please store wine in sealed bottles.
- Do not cover the shelves with aluminum foil or any other shelf material which may prevent air circulation.
- If the wine cooler is left empty for long periods, switch off, defrost, clean, dry, and leave the door open to prevent mould developing within the appliance.
- Pay attention to the recommended/preferable storage time of the wines you bought.
- Opening the door for long periods can cause a significant increase of the temperature in the compartments of the appliance. The recommended temperatures for chilling/storing wines is as below, please choose zones and temperatures accordingly.
- Recommended temperatures for chilling/storing wines.

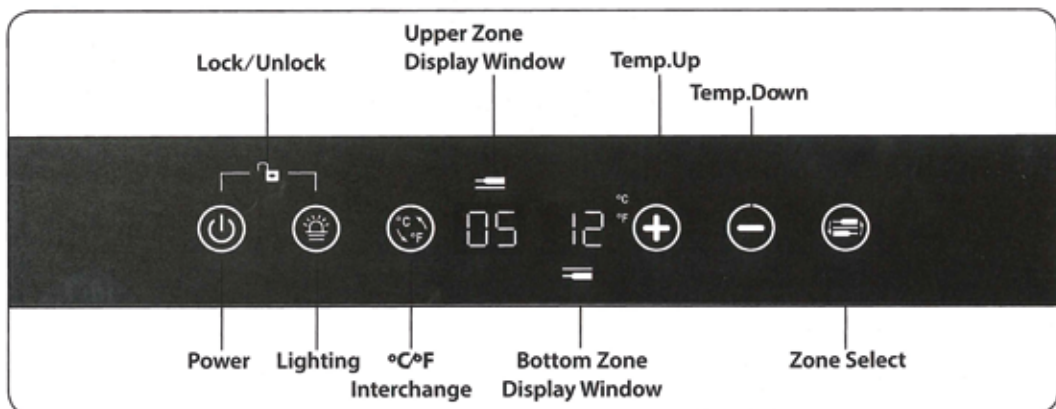
Wine Type	Recommender Temp
Red Wines	15 - 18°C (59°F-64°F)
Dry/White Wines	9 - 14°C (48°F-57°F)
Rose Wines	10 - 11°C (50°F-52°F)
Sparkling Wines	5 - 8°C (41°F-46°F)
Drinks	2 - 5°C (36°F-41°F)

■ CONTROL PANEL

• For Single Zone



• For Dual Zone





■ POWER ON/OFF CONTROL

- When the appliance is plugged in to a power outlet, it powers on automatically.
- Touch the power mark (⏻) and hold for **10 seconds** to turn off (or turn on) the appliance.
- No matter it is under a locked or unlocked situation, you can turn off the appliance by touching the power mark (⏻) and holding for **10 seconds**.




Warning: To avoid damaging the compressor, please do not turn on the appliance again within **5 minutes** after you turn it off.

■ UNLOCKING THE CONTROL PANEL

- To unlock the control panel, touch the power mark and lighting mark   with 2 fingers at the same time and hold for **3 seconds** . When unlocked a buzz sound will be heard.
- The control panel will be automatically locked with a buzz sound heard after **10 seconds** without being touched.
- Under the locked situation, the control panel will not react to any touching order for Lighting On/Off and Temperature Setting.

■ INTERIOR LIGHTING ON/OFF CONTROL

- Under the unlocked situation, touch the lighting mark  to turn on (or turn off) the interior cool LED lighting.
- The lighting will stay on until it is manually turned off.

■ TEMPERATURE DISPLAY WINDOW







- The temperature is displayed in digital which is the best way to be read out. The digital is shown as the set temperature when you are setting the temperature, and it will change to be the real temperature of the inside cabinet after **10 seconds** without being touched.
- When the temperature probe is out of order, the display window will show with "HH" or "LL" instead of a digital figure while continuous buzz sound will be heard. In case of this happens, this appliance is considerably designed to keep periodical running of compressor and fans which helps to keep the coldness of the inside cabinet to protect your stored wines.



Warning: To avoid destroying your stored wines, it is strongly recommended to have the appliance repaired immediately, as the spare periodical running can not ensure the appliance to achieve the temperature you have set.








■ TEMPERATURE SETTING

For Single Zone

- The temperature setting range is 2-20 °C (36-68°F).
- Directly touch the  or  mark to set the Wine Cooler temperature as you want.
- The first touch on  or  mark will recall the previous set temperature displayed. If the appliance runs after a power failure (or unplugging), the previous set temperature does not exist and is replaced by the defaulted temperature at 12°C (54°F).
- Touch the mark  to increase the set temperature by 1°C (or by 1°F). On the contrary, touch the mark  to decrease the set temperature by 1°C (or by 1°F).

- The digital will change to display the real temperature of the inside cabinet after **10 seconds** without being touched.

For Dual Zone



- The temperature setting ranges are 2-12 °C (36-54 °F) for the upper zone and 12-20 °C (54-68 °F) for the bottom zone.
- You need to select the set zone by touching the mark  before touching the mark  or  to set the desired temperature. The zone temperature will flash when it is ready to be set.
- The first touch on mark  or  will recall the previous set temperature displayed in the digital window. If the appliance runs after a power failure (or unplugging), the previous set temperature does not exist and is replaced by the defaulted temperature at 10°C for the upper zone while 16°C for the bottom zone.
- Touch the mark  to increase the set temperature by 1°C (or by 1°F). On the contrary, touch the mark  to decrease the set temperature by 1°C (or by 1°F).
- The digital will change to display the real temperature of the inside cabinet after **10 seconds** without being touched.

Note:

For the first time to use the appliance or to restart the appliance after having been shut off for a long time, you may find a few degrees variance between the set temperature and the displayed temperature. It will be normal after a few hours running

■ SELECTING FAHRENHEIT(°F) & CELSIUS (°C) DISPLAY

For Single Zone

Touch the marks   with 2 fingers at the same time and hold for 5 seconds, you can interchange the Fahrenheit and Celsius display.

For Dual Zone

Directly touch the mark , you can interchange the Fahrenheit and Celsius display for both zones at the same time.

CARE AND MAINTENANCE

■ CLEANING THE WINE COOLER

- Clean regularly surfaces of the wine cooler to avoid contamination of wines.
- Turn off the power, unplug the appliance, and remove all items including shelves.
- Wipe the inside surfaces with a sponge and baking soda solution. The solution should be about 2 tablespoons of baking soda to 1 quart (approx. 1 litre) of warm water.
- Wash the shelves with a mild detergent solution. Allow wooden shelves to dry before placing back into the Wine Cooler.
- Wring excess water out of the sponge or cloth when cleaning area of the controls, or any electrical parts.
- Wipe the outside cabinet with warm water and mild liquid detergent. Wipe dry with a clean soft cloth.
- Do not use steel wool or steel brush on the stainless steel. These will scratch the stainless steel with steel particles and rusting may occur.

■ POWER FAILURE

Most power failures are corrected within a few hours and should not affect the temperature of your appliance if you minimize the number of door openings. If the power is going to be off for a longer period of time, you need to take the proper steps to protect your wines.

■ MOVING THE WINE COOLER

- Remove all items.
- Securely tape down all loose items (shelves) inside your appliance.
- Turn the adjustable leg up to the base to avoid damage.
- Tape the door shut.
- Be sure the appliance stays secure in the upright position during transportation. Also protect outside of appliance with a blanket, or similar item.

■ ENERGY SAVING TIPS

- The appliance should be located away from heat producing appliances, and away from direct sunlight.
- Ensure that the unit is adequately ventilated. Never cover air vents.
- Only open the door when necessary. Avoid leaving the door open for long periods or opening/closing the door frequently.

TROUBLESHOOTING

If you feel the appliance is not working properly, follow these instructions to try to see if you can solve the problem simply by yourself before calling for service.

No.	PROBLEM	PROBLEM POSSIBLE CAUSE / MEASURE
1	The Wine Cooler does not operate	Not plugged in The appliance is turned off The circuit breaker tripped or a blown fuse
2	The Wine Cooler is not cold enough	Check the temperature control setting External environment may require a higher setting The door is opened too frequently The door is not closed completely The door gasket does not seal properly
3	Automatically turn on and turn off frequently	The room temperature is hotter than normal A large amount of contents has been added to the Wine Cooler The door is opened too frequently The door is not closed completely The temperature control is not set correctly The door gasket does not seal properly
4	The lighting does not work	Not plugged in The circuit breaker tripped or a blown fuse The lighting is turned off
5	Too much vibration	Check to assure that the appliance is level Check to assure no parts inside the cabinet or in the compressor chamber are loose
6	The Wine Cooler seems to make too much noise	The rattling noise may come from the flow of the refrigerant which is normal As each cycle ends, you may hear gurgling sounds caused by the flow of refrigerant Contraction and expansion of the inside walls may cause popping and crackling noises The appliance is not level
7	The door will not close properly	The Wine Cooler is not level The door was reversed and not properly installed The gasket is dirty The shelves are out of position
8	The display window is shown with "HH" or "LL" instead of a digital figure and/or with continuous buzz sound	The temperature probe is out of order

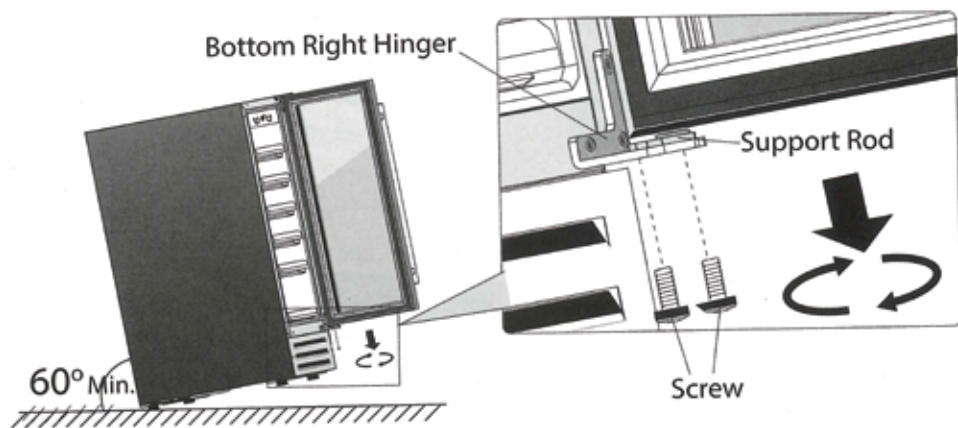
REVERSE THE DOOR SWING

■ FOR BUILT-UNDER SERIES

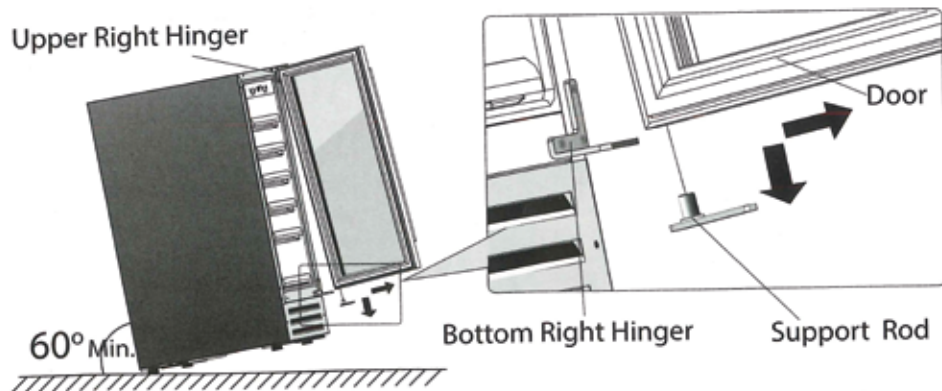
Remarks:

- Reversible door swing function is only available for a unit with 870mm height, and with control panel inside the cabinet.
- The instruction is based on a unit with right door hinge installed already.
- To reserve the door from right hinge to left hinge, you need to get ready 2 new spare parts: an **Upper Left Hinge**, and a **Bottom Left Hinge**.
- All removed parts is suggested t be saved in case of door re-reversal.

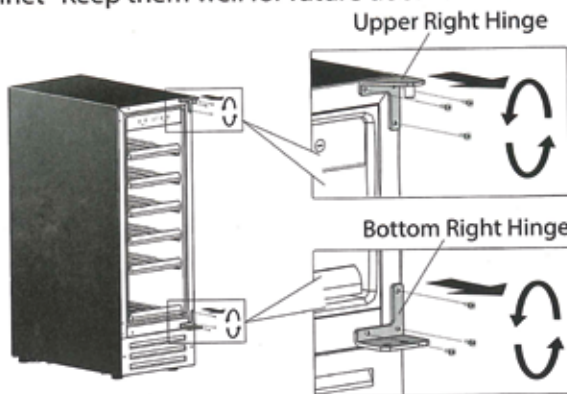
1st Step Open the door and loosen the 2 screws from Support Rod of the Bottom Right Hinge



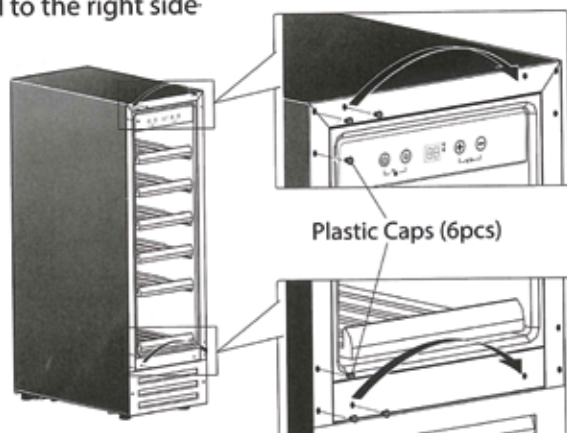
2nd Step Carefully remove the door from the Upper Right Hinge and prevent it from scratching. Take out the Support Rod from the door hinge hole



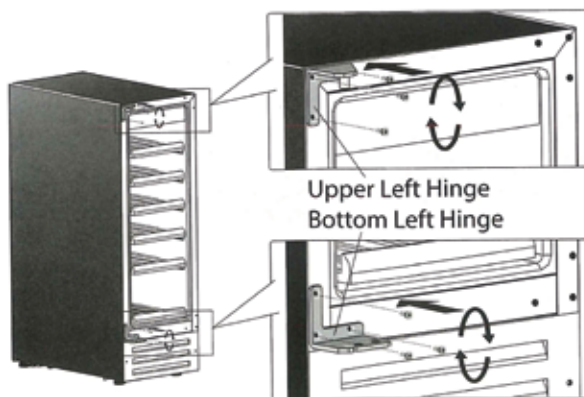
3rd Step Unscrew the Upper Right Hinge and Bottom Right Hinge from the cabinet. Keep them well for future door re-reversal.



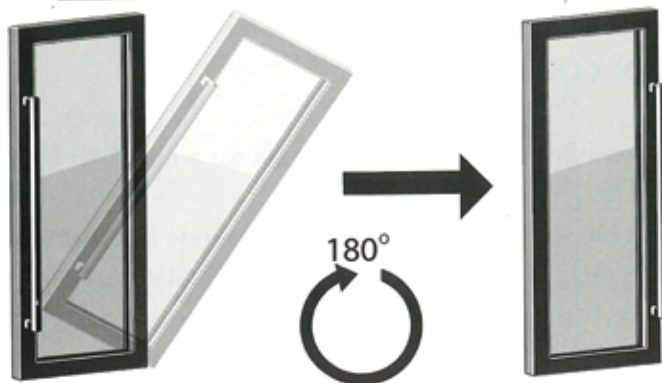
4th Step Pull out the 6 Plastic Caps at the front left corner of the cabinet. And move them all to the right side.



5th Step Install the Upper Left Hinge and Bottom Left Hinge to the left side of the cabinet. Make sure the screws are tightened.

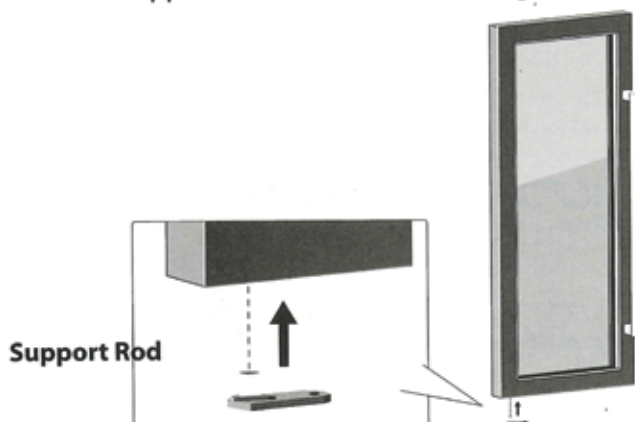


6th Step For a unit **without lock** please turn the door by 180° (upside down)

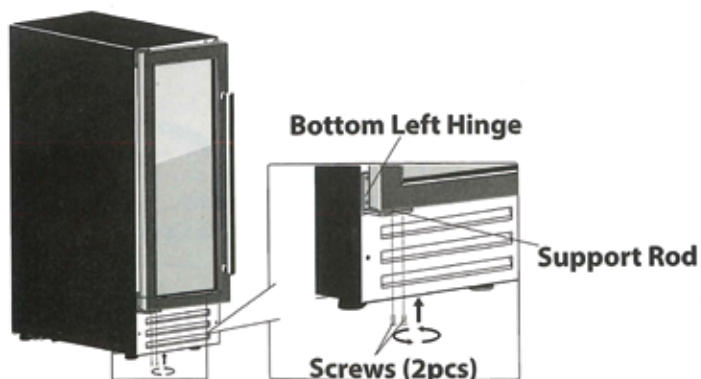


For a unit **with lock** keep the door upright and remove the hinge hole cover (at the top of the door) from the left side to the right side

7th Step Insert the Support Rod into the bottom hinge hole of the door.



8th Step Install the door to the left hinge side by tightening the Support Rod with the 2 screws



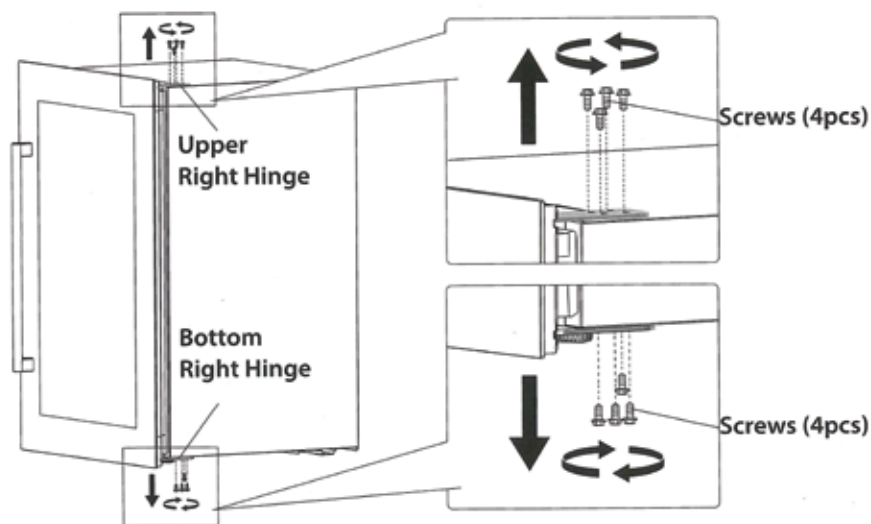
9th Step --For a unit **with lock**, please follow the instruction of "How to Reverse the Door Handle" to remove the handle for the left side to the right side

■ FOR BUILT-IN-COLUMN SERIES

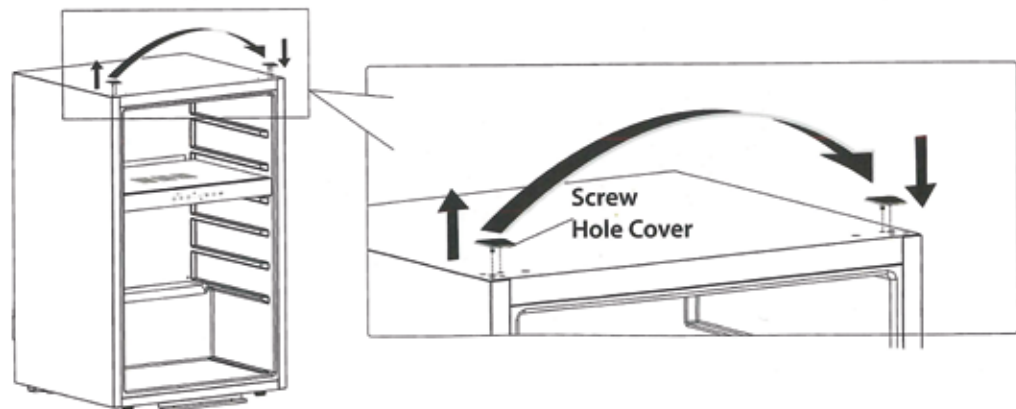
Remarks:

- Reversible door swing function is only available for a unit with control panel inside the cabinet.
- This instruction is based on a unit with Right Door Hinge installed already.
- All removed parts must be saved to do the door reinstallation.

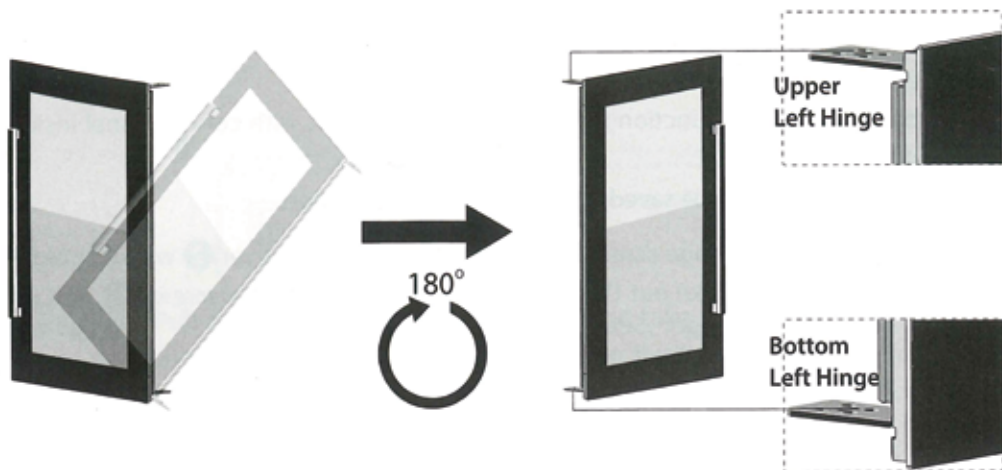
1st Step – Unscrew the 8 screws from Upper Right Hinge and Bottom Right Hinge one by one;



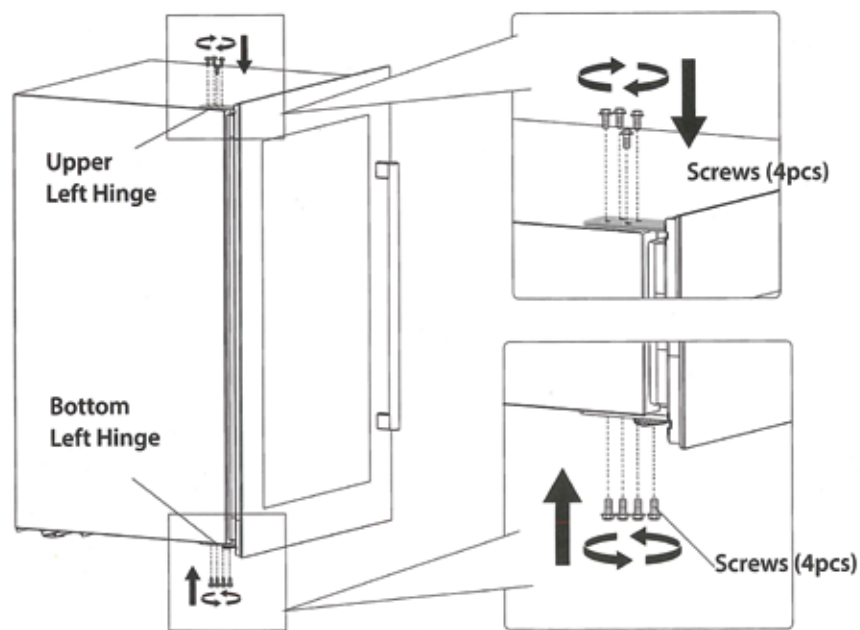
2nd Step – Remove the Screw Hole Cover from left side and press it into right screw holes;



3rd Step – Turn the door over by 180° (upside down);



4th Step – Screw the 8 screws of Upper Left Hinge and Bottom Left Hinge tightly one by one;

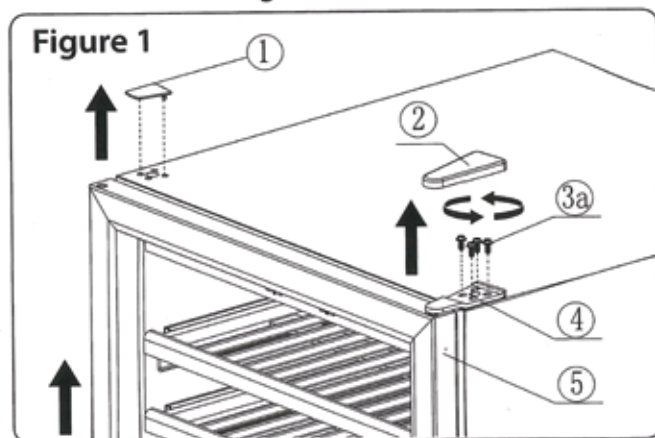


■ FOR FREE-STANDING SERIES

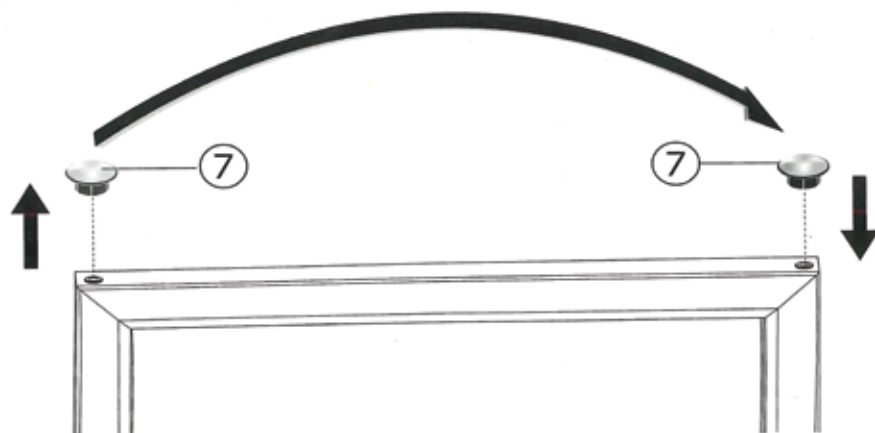
Remarks:

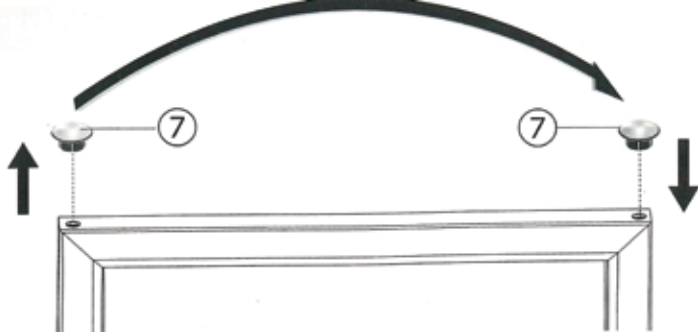
- The instruction is based on a unit with right door hinge installed already (the handle on the left side).
- Reversible door swing function is only available for a unit with control panel inside the cabinet.
- All removed parts must be saved to do the door reinstallation.

1st step · Prize up the hinge screw holes cover **1** and hinge cover **2** with a straight screwdriver. Take out the upper hinge by loosening the screws **3a** and lift up the whole door. See **Figure 1**.



2nd step · Move the support rod **6** (at the bottom of the door) from the right to the left side. Move the hinge hole cover **7** (at the top of the door) from the left side to the right side. See **Figure 2 & 3**.





3rd step - Pull out the bottom hinge cover **9** and take out the bottom hinge by loosening the screws. Loosen the 4 screws on the bottom left side. Install the bottom hinge to the left side while screw the holes on the right side. See **Figure 4**.

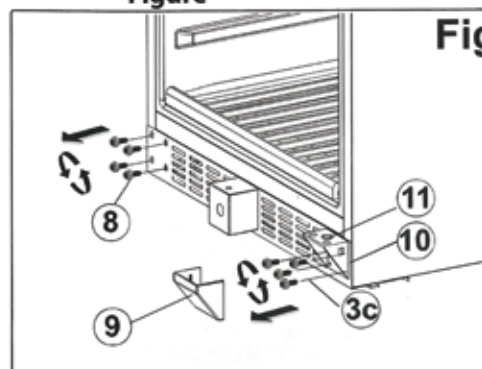
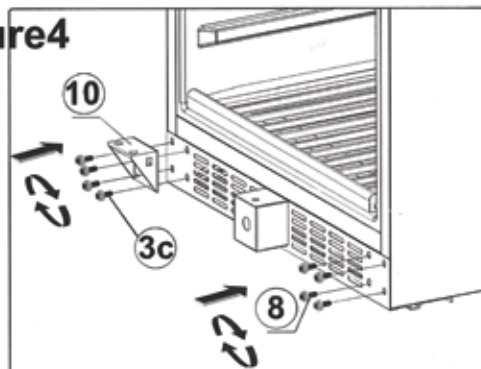
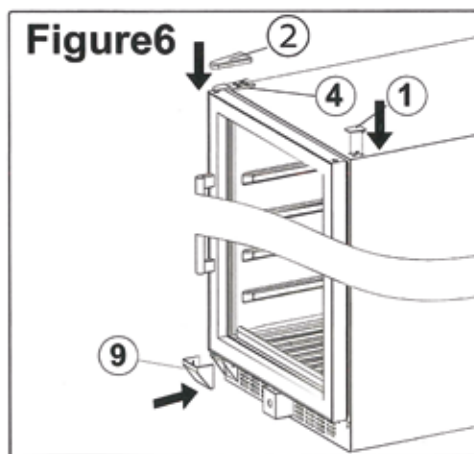
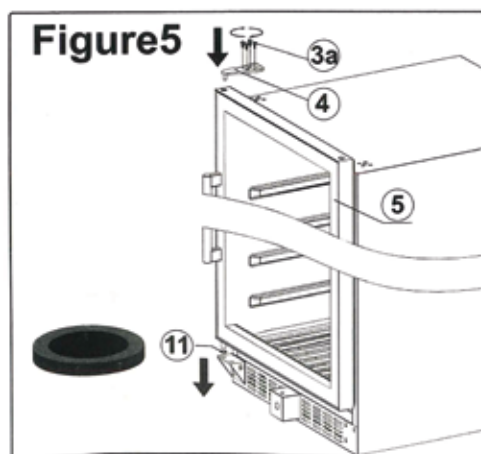


Figure 4

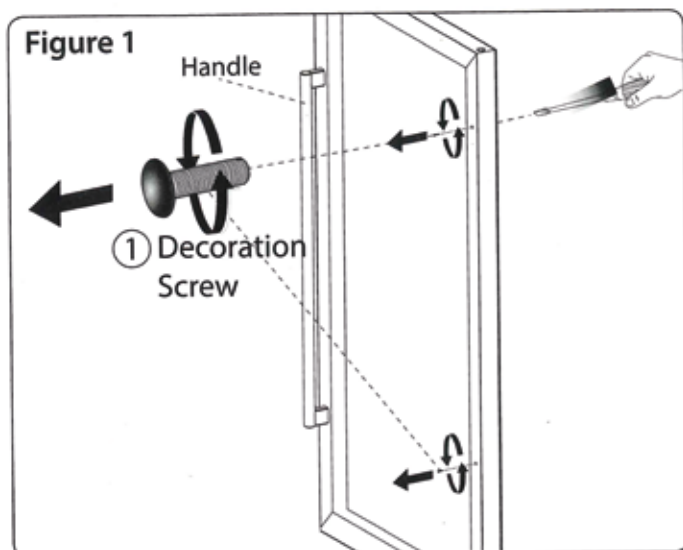


4th step - To reinstall the door to the opposite side, insert the door support rod to the bottom hinge through a washer **11** and screw the upper hinge which has connected with the door. Finally, cover the hinges **4** as well as the hinge screw holes. See **Figure 5 & 6**.

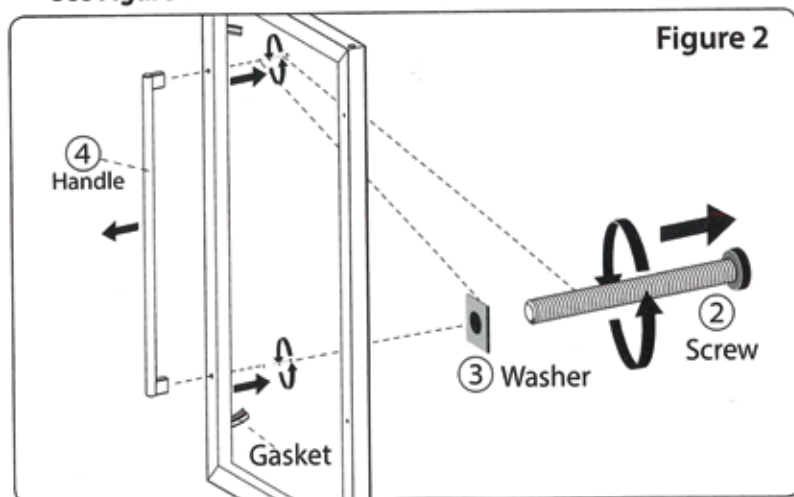


HOW TO REVERSE THE DOOR HANDLE (OPTIONAL)

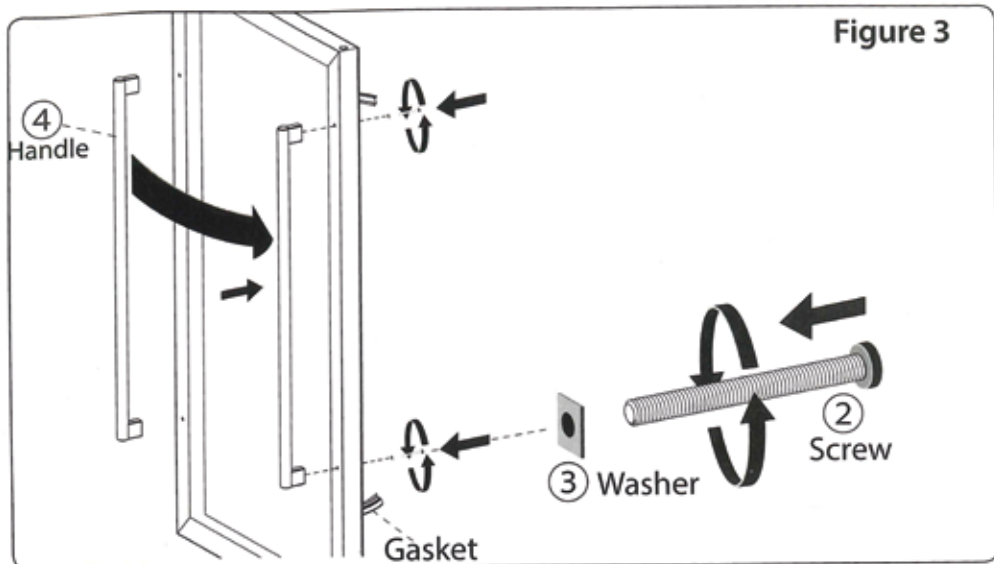
1st Step · Remove the gasket at the right inner side of the door to expose the ² decoration screws **①**. Unscrew them in a clockwise direction with a straight screwdriver at first and then loosen them in a counter-clockwise direction by fingers from the outer side of the door. Now the screw holes are ready for installing the handle to the right side. See **Figure 1**.



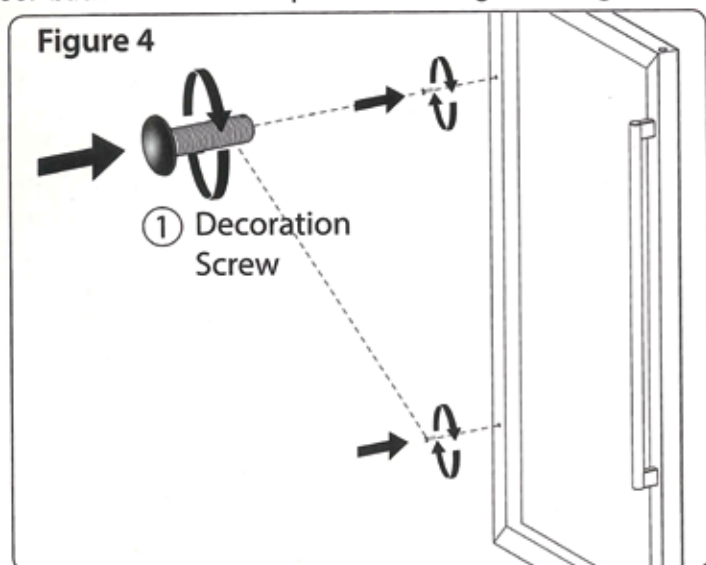
2nd Step · Remove the gasket at the left inner side of the door to expose the ² handle screws **②**. Unscrew them in a counter-clockwise direction with a cross screwdriver, take out the screws and the washers **③** as well as the handle **④**. See **Figure 2**.



3rd Step - Install the handle to the outer right side of the door. See **Figure 3**.



4th Step - install the 2 decoration screws ① to the holes at the left side of the outer door (backwards to the steps of unscrewing it). See **Figure 4**.



5th Step - Tidy and restore the gasket.

-END-