

A small icon of a control panel with a grid of buttons is located on the left side of the header bar.

COMPRESSOR WINE COOLER INSTRUCTION MANUAL

Control On Door Fantasy Series

Model:

**VT-41 PRO VT-46 PRO VT-19D PRO
VT-181 PRO VT-94 PRO**

SnoMaster CC

49 Koomoff Road, Meadowdale, South Africa. 1614

Tel: (011) 392 5315 Website: www.snomaster.co.za

*This manual contains important information including **safety and installation instructions** of the appliances. Please read it carefully before use and follow all safety information & instructions. It is recommended to keep this manual for easy reference so that you can be familiar with the operation of the appliance.*

--CONTENTS--

IMPORTANT SAFETY INFORMATION	1
DESCRIPTION OF APPLIANCE AND INSTALLATION	3
145L Control On Door-Height:82cm.....	3
145L Control On Door-Height:87cm.....	4
176L Control On Door.....	5
270L Control On Door.....	6
428L Control On Door.....	7
490L Control On Door.....	8
ACCESSORY INSTALLATION BEFORE OPERATING.....	9
UNPACKING AND CLEANING THE WINE COOLER.....	9
LOCK & UNLOCK THE DOOR (FOR OPTION).....	9
DISPLAY SHELF (FOR OPTION)	9
OPERATING THE WINE COOLER.....	10
WORKING CLIMATE	10
WINE STORAGE.....	10
CONTROL PANEL	11
POWER ON/OFF CONTROL.....	12
UNLOCKING THE CONTROL PANEL.....	12
INTERIOR LIGHTING ON/OFF CONTROL	12
SELECTING FAHRENHEIT(°F) & CELSIUS (°C) DISPLAY.....	12
TEMPERATURE SETTING	13
TEMPERATURE DISPLAY WINDOW	14
CARE AND MAINTENANCE.....	15
CLEANING THE WINE COOLER.....	15
REMOVING THE SHELVES	15
POWER FAILURE.....	15
MOVING THE WINE COOLER	16
ENERGY SAVING TIPS.....	16
TROUBLESHOOTING	17



Note:

- The A-weighted emission sound pressure level of this appliance is below 70 dB(A)
- Instructions also can be available via the website www.snomaster.co.za

IMPORTANT SAFETY INFORMATION

Before using the appliance, please properly position and install it as described in this manual. To avoid the risk of fire, electrical shock, or injury when using the appliance, follow these basic precautions:

- This appliance is for commercial purposes and is intended to be used exclusively for the storage of sealed bottled wines and beverages.
- The appliance must be positioned so that the plug is accessible.
- Make sure the voltage/current marked on the rating label corresponds with your supply voltage. Plug into a grounded 3-pin outlet, do not remove grounding pin, do not use an adapter, and do not use an extension cord.
- Do not connect or disconnect the electric plug with wet hands.
- To disconnect the appliance, grip the plug and pull it from the wall outlet. Never pull out by the cord.
- It is recommended that a separate circuit, serving only your appliance be provided.
- Unplug the appliance or disconnect power before cleaning, maintenance or servicing. Failure to do so can result in electrical shock or death.
- If the supply cord is damaged, it must be replaced by the manufacturer or its service agent or a similarly qualified person in order to avoid a hazard.
- The fuse (or circuit breaker) size should be 10 amps or higher.
- To ensure proper ventilation for the appliance, the front of the unit must be completely unobstructed. Locate the unit away from direct sunlight and sources of heat (stove, heater, radiator, etc.).
- **Do not** attempt to repair or replace any part of the appliance unless it is specifically recommended in this manual. All other servicing should be referred to a qualified technician.
- Ensure enough people to move and install the appliance to avoid any damage to the appliance or injury to the people.
- It is important for the appliance to be leveled in order to work properly. You may adjust the appliance's feet to level it.
- Never clean the appliance parts with flammable fluids which may create a fire hazard or explosion. And do not store or use gasoline or other flammable vapors and liquids in the vicinity of the appliance.
- **Do not** use solvent-based cleaning agents or abrasives on the interior. These cleaners may damage or discolor the interior.
- **Do not** use this appliance for other than its intended purpose.
- **Do not** use electrical appliance inside the appliance.
- The use of attachments not recommended by the manufacturer may be hazardous.
- Please keep the products away from the fire or similar glowing substance before you dispose the appliance.
- GWP(Global Warming Potential): R600a=3

- When you dispose the appliance, take off the door and leave the shelves in place so that children may not easily climb inside. And make sure the coolant circuit, particularly the heat exchanger at the back/bottom of the unit is not be damaged.
-  The recycle symbol on the product or its packaging indicates that this product is not to be handled as normal household waste and it is to be taken to a recycling collection point for electrical and electronic goods.
-  **WARNING:** This appliance contains flammable refrigerant material
- **WARNING:** When positioning the appliance, ensure the supply cord is not trapped or damaged.
- **WARNING:** Do not locate multiple portable socket-outlets or portable power supplies at the rear of the appliance.
- This appliance is not intended for use by persons (including children) with reduced physical, sensory or mental capabilities, or lack of experience and knowledge, unless they have been given supervision or instruction concerning use of the appliance by a person responsible for their safety.
- Children should be supervised to ensure that they do not play with the appliance.
- **WARNING:** Keep clear of obstruction all ventilation openings in the appliance enclosure or in the structure for building-in.
- **WARNING:** Do not use mechanical devices or other means to accelerate the defrosting process, other than those recommended by the manufacturer.
- **WARNING:** Do not damage the refrigerant circuit.
- **WARNING:** Do not use electrical appliances inside the food storage compartments of the appliance, unless they are of the type recommended by the manufacturer.
- **WARNING:** To avoid a hazard due to instability of the appliance, it must be fixed in accordance with the instructions.
- **WARNING:** Do not store explosive substances such as aerosol cans with a flammable propellant in this appliance.
- **WARNING:** In order to reduce flammability hazards the installation of this appliance must only be carried out by a suitably qualified person.

DESCRIPTION OF APPLIANCE AND INSTALLATION

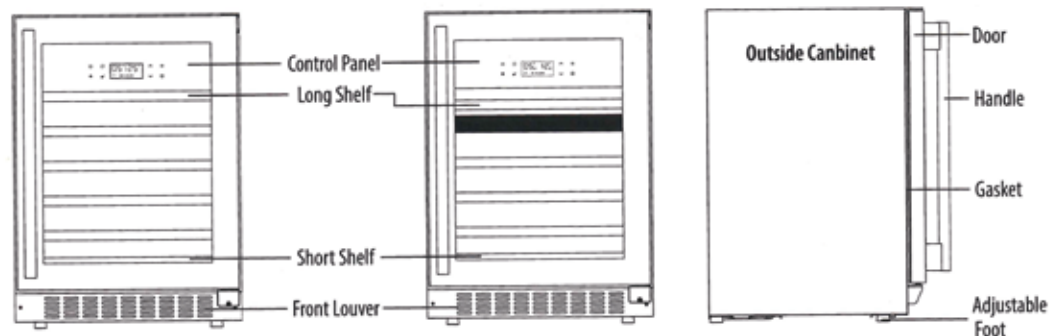
The following pictures only show description of appliance. The dimension and shelf quantity may differ among the models of the same series.

■ 145L Control On Door-Height:82cm

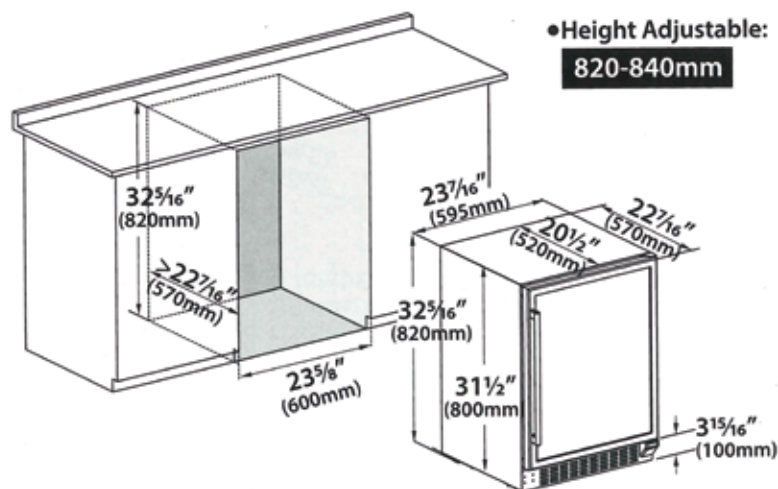
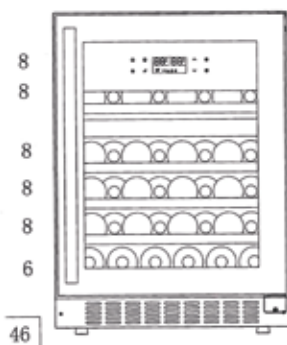
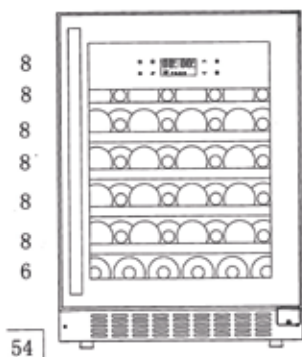
Single Zone 54 Bottles

Dual Zone 46 Bottles

Single & Dual Zone



Bottle Loading Layout (maximum loading of total and each shelf)

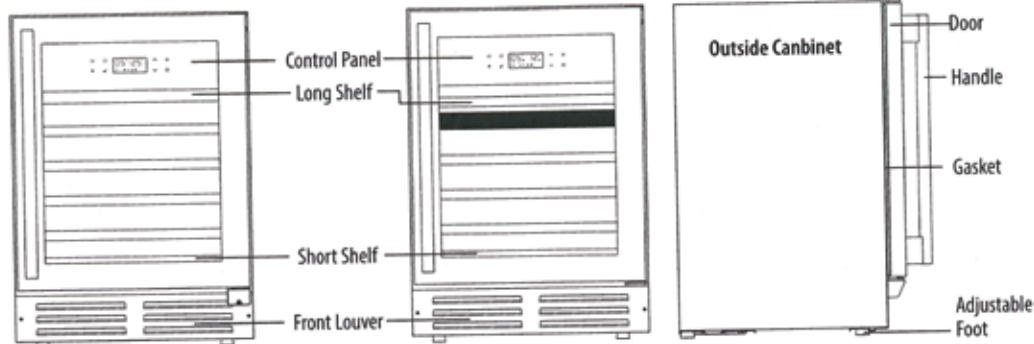


■ 145L Control On Door-Height:87cm

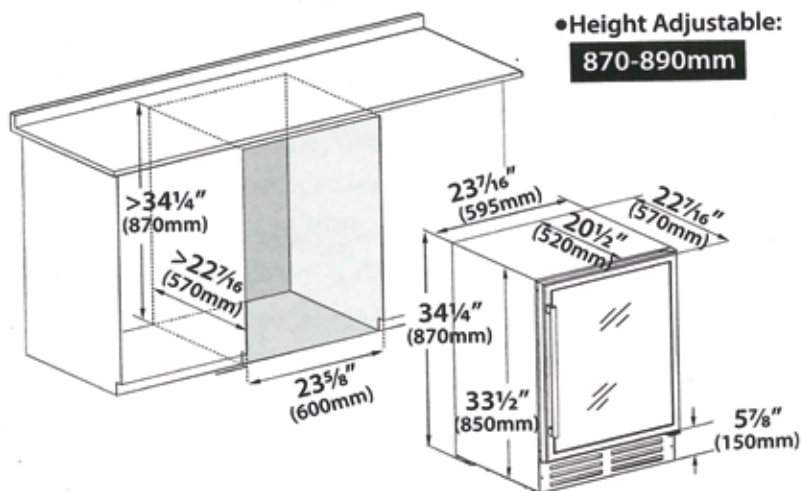
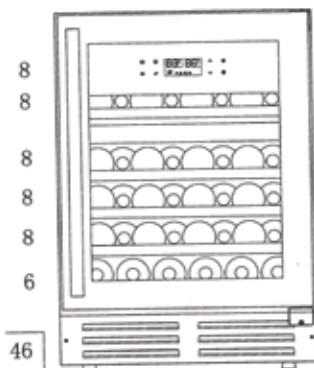
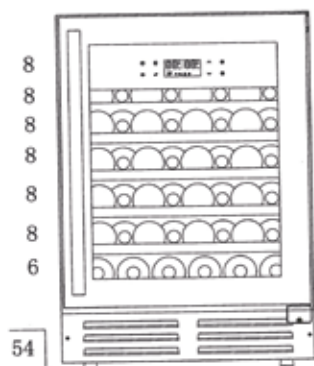
Single Zone **54** Bottles

Dual Zone **46** Bottles

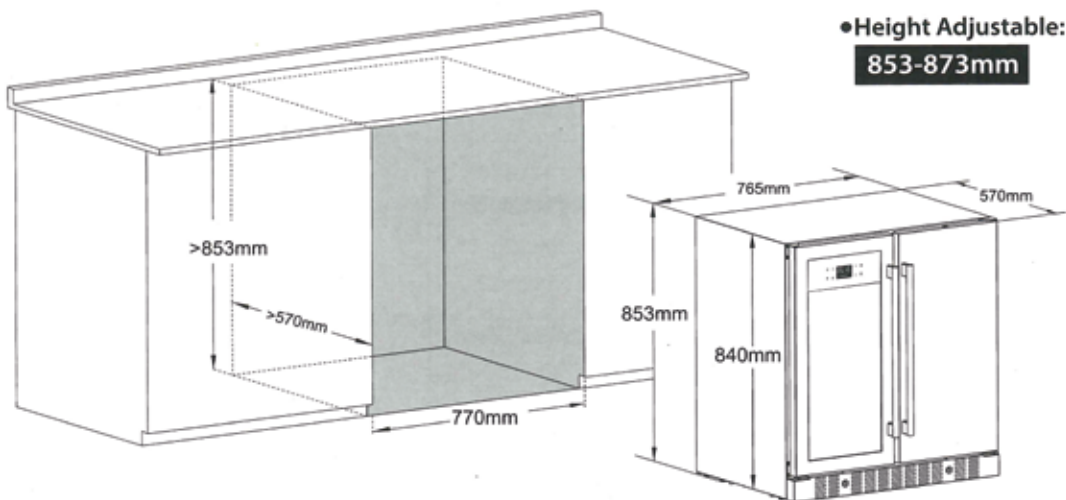
Single & Dual Zone



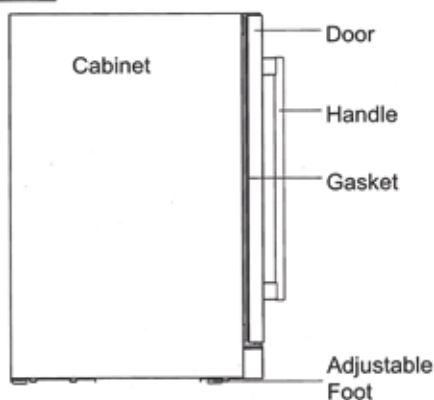
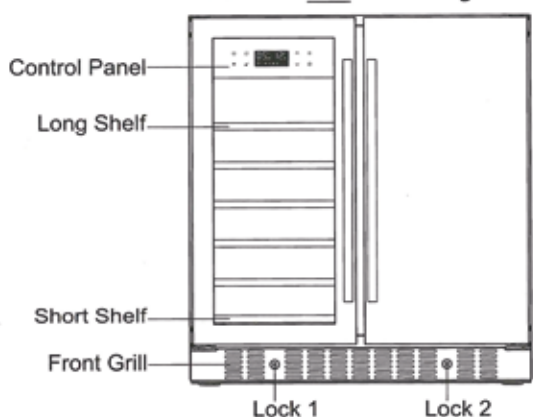
Bottle Loading Layout (maximum loading of total and each shelf)



■ 176L Control On Door

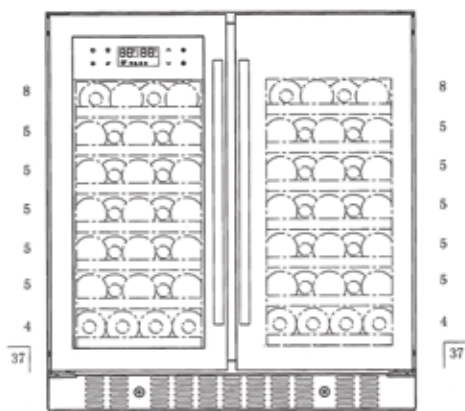


Left Zone 37 Bottles Right Zone 37/95 Bottles/Cans



Bottle Loading Layout

(maximum loading of total and each shelf)

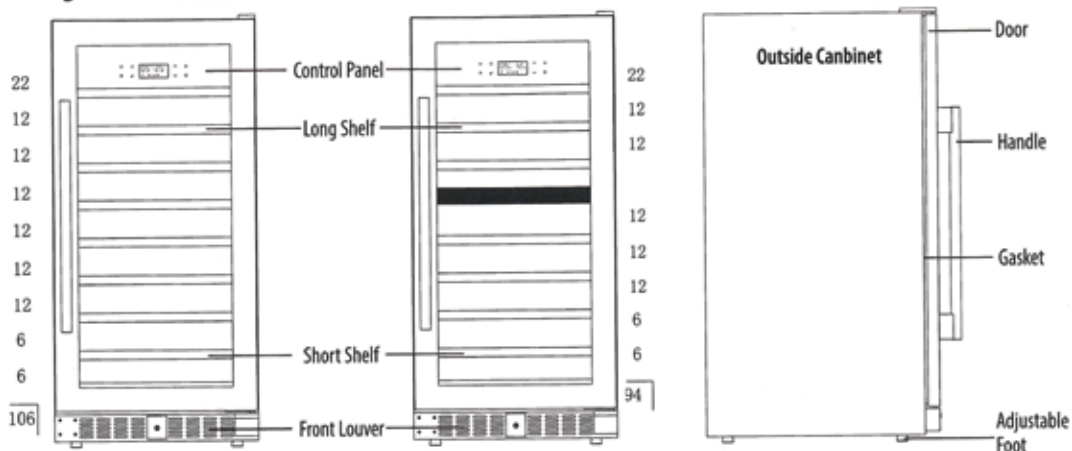


■ 270L Control On Door

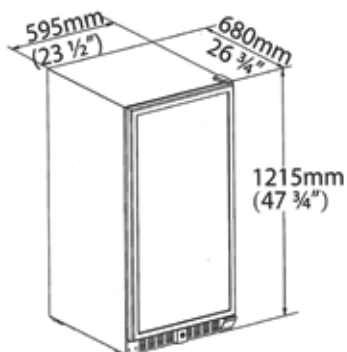
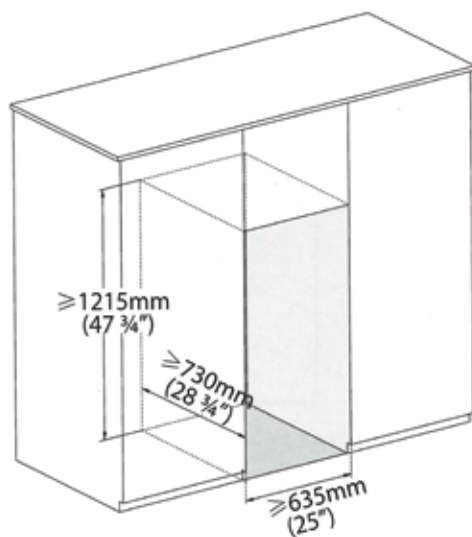
Single Zone **106** Bottles

Dual Zone **94** Bottles

Single & Dual Zone



(The above illustration also shows the maximum loading of total and each shelf)

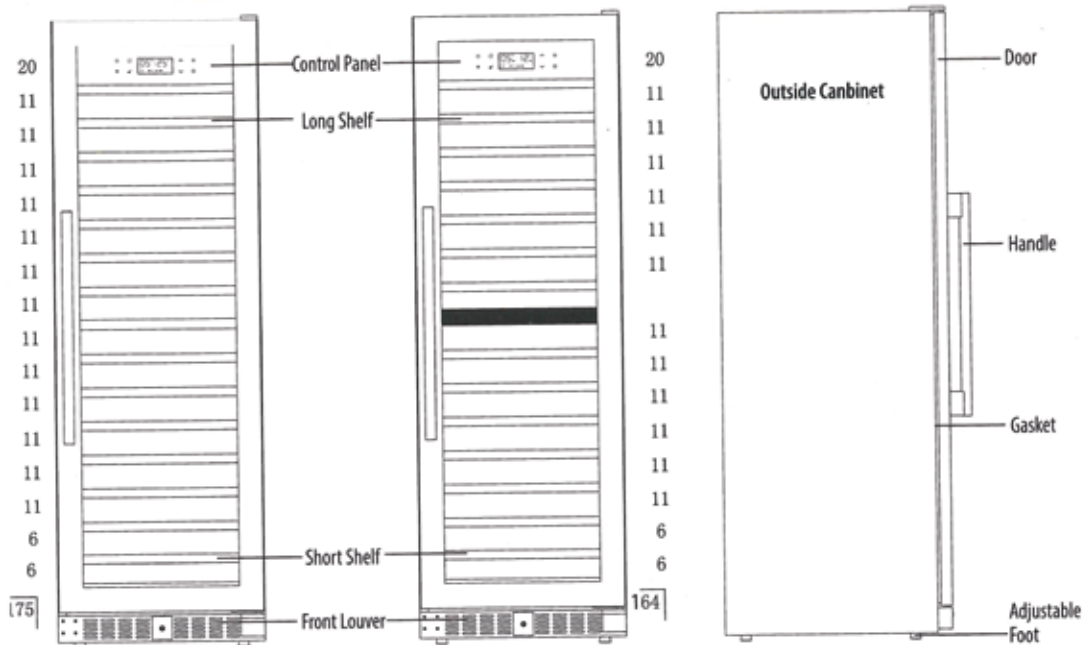


■ 428L Control On Door

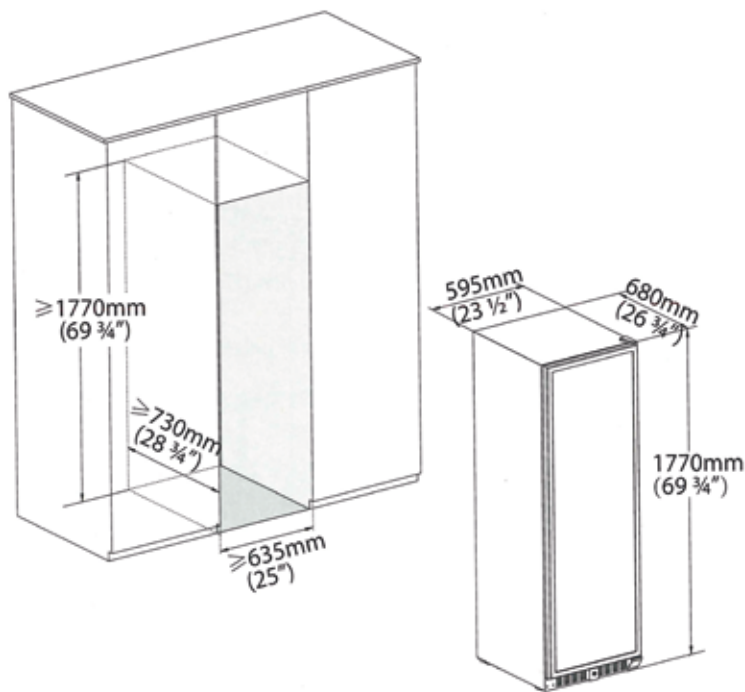
Single Zone **175** Bottles

Dual Zone **164** Bottles

Single & Dual Zone



(The above illustration also shows the maximum loading of total and each shelf)

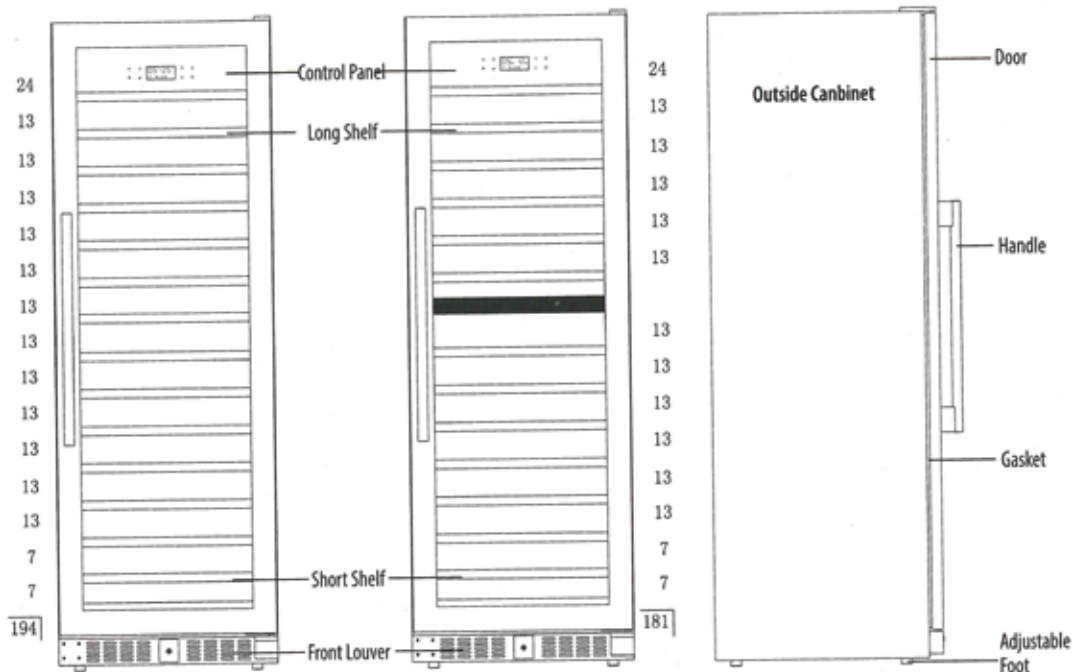


■ 490L Control On Door

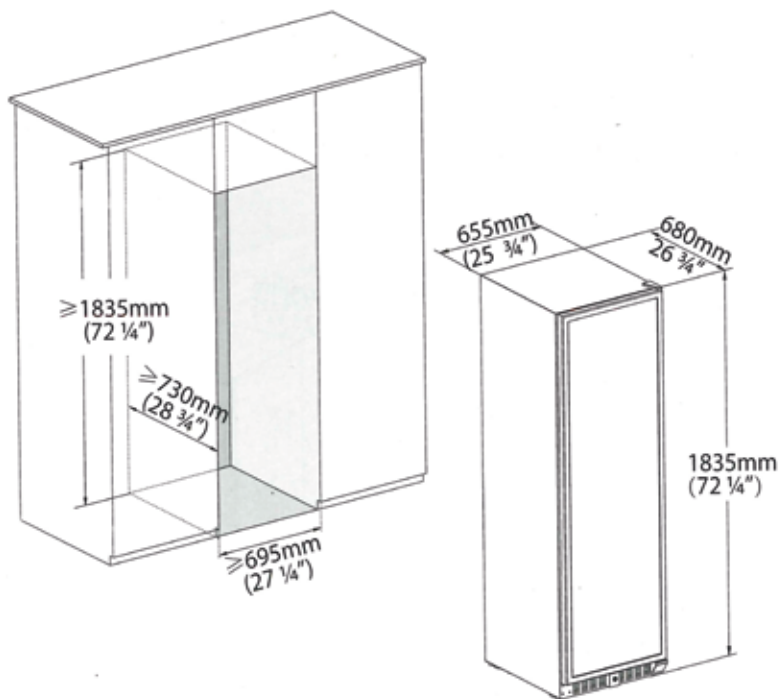
Single Zone **194** Bottles

Dual Zone **181** Bottles

Single & Dual Zone



(The above illustration also shows the maximum loading of total and each shelf)



ACCESSORY INSTALLATION BEFORE OPERATING

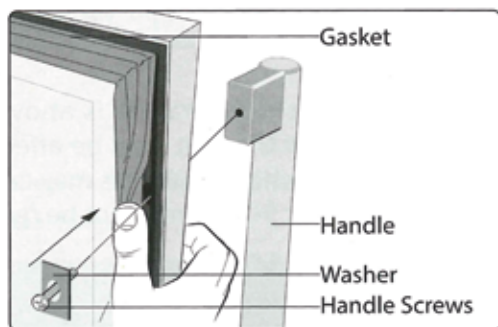
■ UNPACKING AND CLEANING THE WINE COOLER

- Remove the exterior and interior packing materials.
- Let the appliance stand upright for approximately **24 hours** before connecting it to the power source, which helps to reduce the possibility of a cooling-system malfunction from handling during transportation.
- Use a soft cloth to clean the interior surface with lukewarm water.
- For the model with handle (packed with the appliance), pls.install it by the following steps:

1st Step Gently pull the door Gasket to one side to reveal the two Handle Screws and Washers pre-placed

2nd Step Fix Handle by screwing the two Handle Screws tightly

3rd Step Restore the Gasket

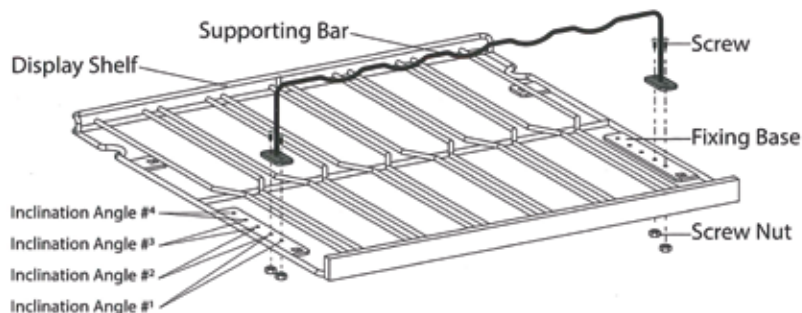


■ LOCK & UNLOCK THE DOOR (FOR OPTION)

- Lock is an optional function. If your Wine Cooler has such function, a key should be attached inside the packing of this Manual.
- Insert the key into the lock and turn it counter-clockwise to unlock the door. To lock it, please turn clockwise. Please save the key well.

■ DISPLAY SHELF (FOR OPTION)

If your Wine Cooler is equipped with a display shelf. To set it up, please screw the supporting bar to the fixing base of the display shelf (as image below). The supporting bar will an accessory packed with the unit.



OPERATING THE WINE COOLER

■ WORKING CLIMATE

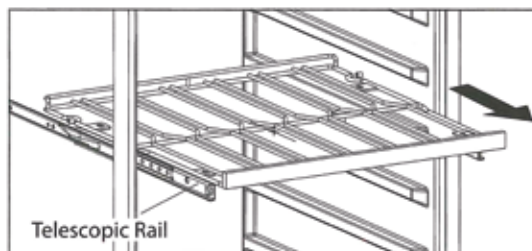
- The appliance is designed for operating under climate class 5 (see below climate class chart). It is recommended to maintain the ambient around 22-25°C which helps the appliance working with low power consumption.

Climate Class	Ambient Temperature
5	18 - 43 °C (64°F-109°F)

- If the ambient temperature is above or below the designed climate range, the performance of the unit may be affected. For example, the appliance operating in extreme cold or hot conditions may cause interior temperatures to fluctuate, and the temperature set **5-22°C** may not be reached sometimes.

■ WINE STORAGE

- The standard shelves are designed perfectly for Bordeaux bottle storage. The maximum loaded bottles may vary subject to the different size or dimension wine bottles you store. For the maximum loading of each type of shelf, please refer to the bottle loading layout of the installation figures.
- The shelves with telescopic rails can be pulled out for easy access to the wine storage,
--for 2-fold telescopic rails, max 40% can be pulled out;
--for 3-fold telescopic rails, max 70% can be pulled out.



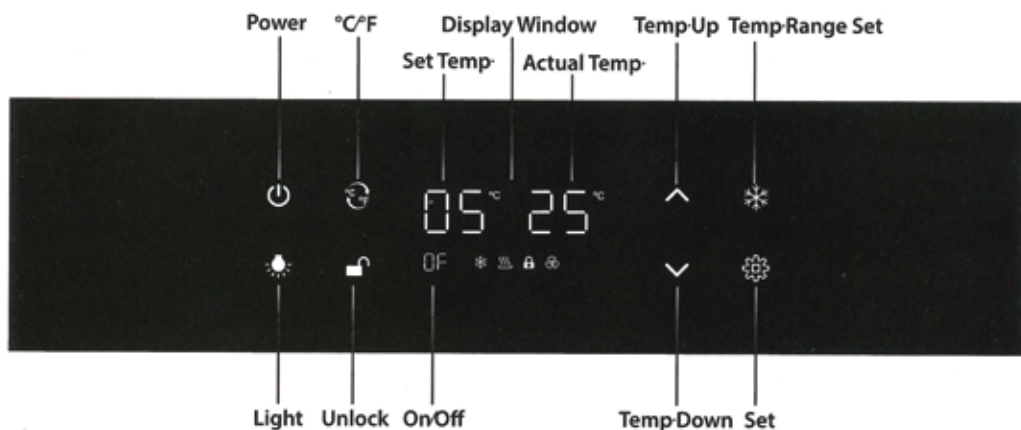
- To prevent damaging the door gasket, make sure to have the door opened fully all the way before pulling the shelves out.
- Please store wine in sealed bottles.
- Do not cover the shelves with aluminum foil or any other shelf material which may prevent air circulation.
- If the wine cooler is left empty for long periods, switch off, defrost, clean, dry, and leave the door open to prevent mould developing within the appliance.
- Pay attention to the recommended/preferable storage time of the wines you bought.

- Opening the door for long periods can cause a significant increase of the temperature in the compartments of the appliance. The recommended temperatures for chilling/storing wines is as below, please choose zones and temperatures accordingly.
- Recommended temperatures for chilling/storing wines.

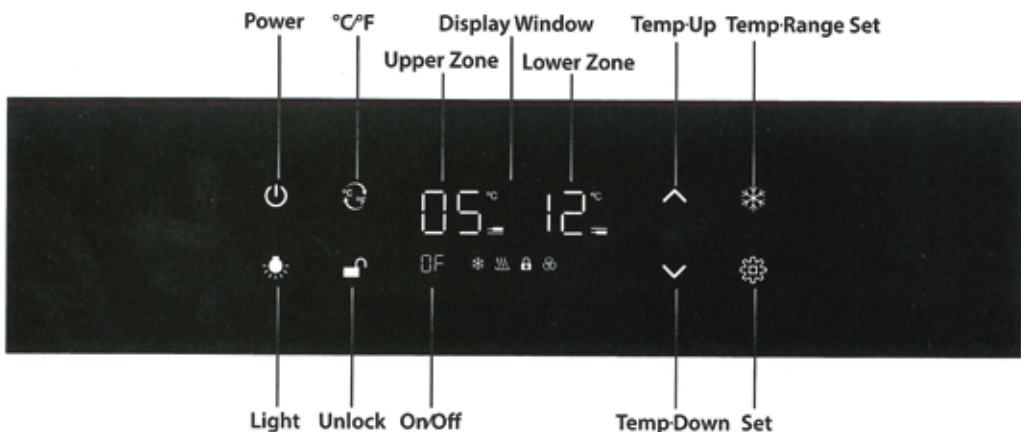
Wine Type	Recommender Temp.
Red Wines	15 - 18°C (59°F-64°F)
Dry/White Wines	9 - 14°C (48°F-57°F)
Rose Wines	10 - 11°C (50°F-52°F)
Sparkling Wines	5 - 8°C (41°F-46°F)

■ CONTROL PANEL

• For Single Zone



• For Dual Zone



■ POWER ON/OFF CONTROL



POWER

- Press to turn on the control panel back light buttons if they are off.
- To turn off your wine cellar for cleaning or extended absence, press the power button once. After the unit beeps once, hold the power button for **10 seconds** and your wine cellar will shut itself off. Once the wine cellar has been turned off, please allow at least **5 minutes** before starting up again. This will limit excessive wear on the compressor.



Warning!

To avoid damaging the compressor, please do not turn on the appliance again within **5 minutes** after you turn it off.

■ UNLOCKING THE CONTROL PANEL



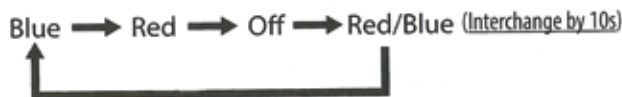
- Press for 3 seconds to unlock the control panel.

■ INTERIOR LIGHTING ON/OFF CONTROL



Light

- Your wine cellar comes equipped with 3 different lighting options: Red, Blue, or a Red & Blue cycle where the color changes every **10 seconds**. Press the light button once and the lights will run on a 10-second cycle, alternating between Red & Blue. Press the light button again and the color will change to only Blue. Press the light button again and the color will change to Red. Finally, pressing a button a 4th time will turn off the lights.



■ SELECTING FAHRENHEIT(°F) & CELSIUS (°C) DISPLAY



- Press to alter the temperature display in Fahrenheit or Celsius.

■ TEMPERATURE SETTING



Set

For Single Zone

- Press to set temperature. The digital flashes to inform the accessibility to adjust setting.

For Dual Zone

- Press to select Upper/Lower zone for setting temperature. The digital display flashes to inform the accessibility to adjust setting.



Temp.Up

- Press to increase setting temperature by 1°.



**Temp.
Down**

- Press to decrease setting temperature by 1°.



**Temp.
Range
Set**

- Press to change the temperature set-range among E, F, H, L, and leave it for **3 seconds** to confirm your option. Your wine cellar is originally set as "E", the ideal temperature for the storage of red wine.

For Single Zone:

Display	Temp.Range
E (Default)	5 - 22 °C (41°F-72°F)
F	2 - 20 °C (36°F-68°F)
H	10 - 19 °C (50°F-66°F)
L	0 - 20 °C (36°F-68°F)

For Dual Zone

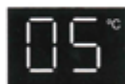
Display	Temp.Range	
	Upper Zone	Lower Zone
E (Default)	5 - 12 °C (41°F-54°F)	12 - 22 °C (54°F-72°F)
F	2 - 12 °C (36°F-54°F)	12 - 20 °C (54°F-68°F)
H	5 - 12 °C (41°F-54°F)	8 - 19 °C (46°F-66°F)
L	2 - 10 °C (36°F-50°F)	12 - 22 °C (54°F-72°F)

Note:

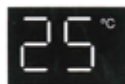
The control panel will lock automatically when left untouched for **15 seconds**. Make sure to unlock the control panel before setting. With the exception of the power button, all other buttons' back light will turn off when the control panel is left untouched for **15 seconds**.

■ **TEMPERATURE DISPLAY WINDOW**

For Single Zone



- Set temperature of the wine cellar.



- Actual temperature of the wine cellar.



- Display Window is on.

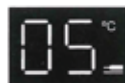


- Display Window is Off



The temperature display will show the set temperature when the Wine Cooler control panel is unlocked and selected to be reset, and show the actual temperature when the control panel is locked.

For Dual Zone



- Set temperature of Upper Zone



- Set temperature of Lower Zone



- Display Window is on.



- Display Window is Off



The display window can be set to the off position for a less obtrusive appearance. Your Wine Cooler will continue to run, but the Wine Coolers display window will not be visible. You can check the temperature of the Wine Cooler by pressing the **Power** button.

To set the display window to either on or off, press **°C/°F** button for **5 seconds** while the control panel is locked.

Once the ON/OFF indicator flashes, press **°C/°F** a second time to enter into the option interface. "ON" will show the display window at all times while "OFF" will turn off the display window. Leave the control panel untouched for **5 seconds** to confirm your option.

Note:

Temperatures may fluctuate depending on whether the interior light is ON or OFF and depending on the position of the bottles.

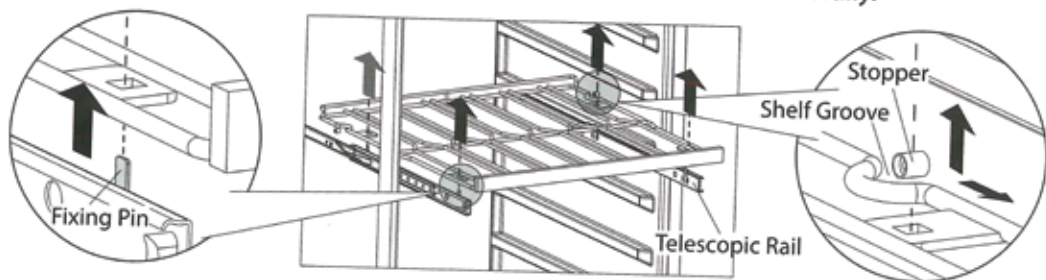
CARE AND MAINTENANCE

■ CLEANING THE WINE COOLER

- Clean regularly surfaces of the wine cooler to avoid contamination of wines.
- Turn off the power, unplug the appliance, and remove all items including shelves.
- Wipe the inside surfaces with a sponge and baking soda solution. The solution should be about 2 tablespoons of baking soda to 1 quart (approx. 1 litre) of warm water.
- Wash the shelves with a mild detergent solution. Allow wooden shelves to dry before placing back into the wine cooler.
- Wring excess water out of the sponge or cloth when cleaning area of the controls, or any electrical parts.
- Wipe the outside cabinet with warm water and mild liquid detergent. Wipe dry with a clean soft cloth.

■ REMOVING THE SHELVES

- Before removing a telescopic shelf from the appliance, it is necessary to remove all the bottles on the Shelf ;
- Pull out the shelf to align the shelf grooves to the stoppers fixed on the inside cabinet;
- Push upward the shelf from the telescopic rails and remove it carefully.



■ POWER FAILURE

Most power failures are corrected within a few hours and should not affect the temperature of your appliance if you minimize the number of door openings. If the

power is going to be off for a longer period of time, you need to take the proper steps to protect your wines.

■ MOVING THE WINE COOLER

- Remove all items.
- Securely tape down all loose items (shelves) inside your appliance.
- Turn the adjustable leg up to the base to avoid damage.
- Tape the door shut.
- Be sure the appliance stays secure in the upright position during transportation. Also protect outside of appliance with a blanket, or similar item.

■ ENERGY SAVING TIPS

- The appliance should be located away from heat producing appliances, and away from direct sunlight.
- Ensure that the unit is adequately ventilated. Never cover air vents.
- Only open the door when necessary. Avoid leaving the door open for long periods or opening/closing the door frequently.

TROUBLESHOOTING

If you feel the appliance is not working properly, follow these instructions to try to see if you can solve the problem simply by yourself before calling for service.

No.	PROBLEM	PROBLEM POSSIBLE CAUSE / MEASURE
1	The wine cooler does not operate	Not plugged in The appliance is turned off The circuit breaker tripped or a blown fuse
2	The wine cooler is not cold enough	Check the temperature control setting External environment may require a higher setting The door is opened too frequently The door is not closed completely The door gasket does not seal properly
3	Automatically turn on and turn off frequently	The room temperature is hotter than normal A large amount of contents has been added to the wine cooler The door is opened too frequently The door is not closed completely The temperature control is not set correctly The door gasket does not seal properly
4	The lighting does not work	Not plugged in The circuit breaker tripped or a blown fuse The lighting is turned off
5	Too much vibration	Check to assure that the appliance is level Check to assure no parts inside the cabinet or in the compressor chamber are loose
6	The wine cooler seems to make too much noise	The rattling noise may come from the flow of the refrigerant which is normal As each cycle ends, you may hear gurgling sounds caused by the flow of refrigerant Contraction and expansion of the inside walls may cause popping and crackling noises The appliance is not level
7	The door will not close properly	The wine cooler is not level The door was reversed and not properly installed The gasket is dirty The shelves are out of position
8	The display window is shown with "HH" or "LL" instead of a digital figure and/or with continuous buzz sound	The temperature probe is out of order