

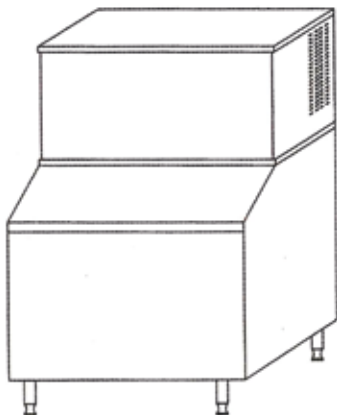


ICE MAKER

USER MANUAL

MODEL:SM- 150/250/450

Thank you for purchasing this SNAMASTER product.
To ensure proper use, we recommend that you read this
instruction manual before operating the unit.



CONTENTS


- SAFETY PRECAUTIONS.....1-3
- HOW TO USE.....4-5
- CLEANING.....6
- IN CASE OF THE FOLLOWING.....7
- BEFORE REQUESTING SERVICE.....7-8
- REQUIRED INFORMATION.....8
- PART NAMES AND FUNCTIONS.....9
- SPECIFICATIONS.....10


CLEVER USE SAVE ELECTRICITY

SAFETY PRECAUTIONS 1

- To ensure proper use, please thoroughly study these SAFETY PRECAUTIONS before operating the unit.
- The purpose of the safety precautions in this manual is to ensure safe and correct use of the unit to minimize risks that could cause serious damage and injury to you or other persons. The safety precautions are divided into WARNINGS and CAUTIONS. Cases where improper handling of the unit could lead to death or serious injury are listed under the "WARNING" heading. However, the cases listed under the "CAUTION" heading could also lead to serious results. To ensure the safety, adhere strictly to both types of safety precautions.

 **WARNING** Improper handling of the unit could lead to death or serious injury.

 **CAUTION** Improper handling of the unit could lead to serious results depending on the circumstances.

- Text set off by the exclamation mark  contains information that should be strictly adhered to.
- After reading the instruction manual, store it in an easily accessible place where the user(s) of this product can easily find it.

◆ PRECAUTIONS FOR INSTALLATION

WARNING



Installation should be performed only by the dealer or a qualified expert. Attempting to install the unit yourself could result in water leakage, refrigerant leakage, electrical shock, or fire.

◆ PRECAUTIONS FOR USE

WARNING



All repairs, disassembly and modifications should be performed only by qualified technicians. Attempting to perform these yourself could result in a fire, malfunction, and injury.



Never splash water directly onto the product or wash with water as short-circuit and electrical leakage could result.



Never use flammable spray cans or leave flammable substances near the unit. Sparks from electrical switches could result in explosion and fire.



Do not damage, modify, excessively bend, strain, twist or bundle up the power cord. Also, placing heavy objects the power cord or squeezing it in a tight place could damage it, possibly resulting in electrical shock or fire.



Use a dedicated wall outlet. Do not use extension cords or convenience receptacles as this could result in electrical shock, overheating and a fire.



When disconnecting the power cord plug from the wall outlet, hold at the plug main body close to the outlet. Pulling the cord could cause wire breakage, possibly resulting in overheating or fire.



SAFETY PRECAUTIONS 2

⚠ WARNING



Power voltage:187V~242V/50Hz;
It is necessary that single-phase alternating current,individual single-phase 3 hole wallet (250V、15A)and fuse(15A), and earth reliably.



Never attempt to insert fingers, sticks, etc. into the cold air suction outlet. A circulation fan is rotating at high speed inside the outlet. Injury, electrical shock and improper operation could result.



PROHIBITED

For indoor use only. Using the unit in a location exposed to rain could result in electrical leakage and electrical shock.



PROHIBITED

Never place heavy objects or items containing water on top of the unit. Objects could fall down and cause injury and spilled water could deteriorate the insulation of electrical components and result in electrical leakage.



Install the unit in a location where the floor is sturdy enough to support the load of the unit, if the floor is not sturdy enough or installation is incorrectly performed, the unit could tip over and falling shelves and products could cause personal injury.



Don't push or pull unit directly avoid blending the support feet.



Should the unit need temporary storage, make sure not to store the unit in a location where children play and take precautions so that the door cannot be completely closed. This will minimize the risk that a child becomes trapped inside the compartment.



Away from hot air sources
cooling performance is reduced if the unit is placed near heat sources such as hot plates and stoves and if it is exposed to direct sunlight.



Leave disassembly and disposal of the unit to qualified experts.



Make sure that the unit does not tip over or fall when it is moved. A falling unit could cause serious injury.

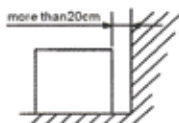


SAFETY PRECAUTIONS 3

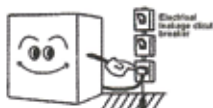
⚠ WARNING

WELL VENTILATED PLACE

Please make more than 20cm space between Chest freezer and wall. If there are no space, cooling capacity can drop down.



If installation in a damp location is unavoidable, also install an electrical leakage circuit breaker. If no electrical leakage circuit breaker is installed, electrical shock could result.



PROHIBITED

Never climb onto the unit. The unit could tip over or fall and cause material damage or injury.



DISCONNECT
POWER CORD
PLUG FROM
WALL OUTLET

Disconnect the power cord plug from the wall outlet before moving the unit and make sure that the power cord is not damaged during transport. A damaged power cord could result in electrical shock or fire.



HOW TO USE

BEFORE USE

- Remove shipping package, tape, etc, and leave doors open ventilation for a while.
- Check carefully if the unit has been destroyed during the transportation after open the package
The unit is cleaned before shipment. However, clean the compartment interior once after delivery.
- Open the door of storage chamber, take out the accessories from it.
- fixing the feet: pad the bottom of the unit with the foam supplied, revolve 4 adjustable feet into corresponding rivet-nut.
- level the ice maker by adjusting the feet.

Connect the water supply

- This unit supply a flow pipe, the elbow side of which connect the water tie-in in back of Unit, and the other side connect 3/4" whorl pipe, must install a soft gasket in the two joint avoiding leak.
- Install a water valve nearby the water supply pipeline for easy controlling water supply.
- The water used in this unit must accord with the international standard on drinking water, you can install the water filtrated system considering the actual condition of water supply.

DRAIN

- Later in the ice machine has two drains, two drains and two drain connections, drains into the other end of the sewer.
The lowest point of drain must overtop the highest point of the channel avoiding refluxence.

Electric connecting

- Voltage range: 220~240V/50Hz; if current fluctuate, add a regulator.
Must supply a individual three-hole plug and earth well.

Function instruction

- This unit have such functions as water automaticly、 making ice falling ice、 ice-full stopping automaticly.
- Once power and water supply well, this unit start water、 making ice、 falling ice circularly have such function as water automatically、 making ice falling ice、 ice-full stopping automatically.

Operation instruction

- After ice storage chamber is full, the control system will cut off the power automaticly, as well as the compressor stop to operate.
- After ice is taken out from storage chamber (about 3 minutes), the control system will switch to ice-making mode automatically.

HOW TO USE 2

EXTREME CONDITION PARAMETER

- The lowest room temperature:10℃
- The highest room temperature:38
- The lowest water-supply press:0.02MPa
- The highest water-supply press:0.5MPa
- The lowest water temperature:2℃
- The highest water temperature:32℃

WAIT 5 MINUTES OR MORE BEFORE RE-STARTING

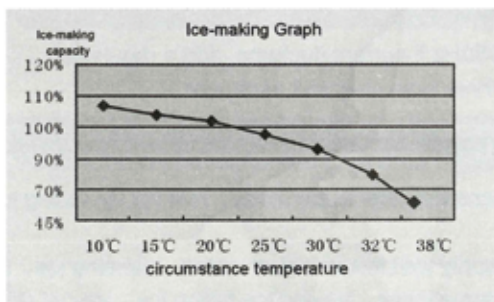
- Restarting the unit immediately after it has been turned off may cause fuses to blow and activate the circuit-breaker.the compressor may be overloaded.and/or other damage may occur.

EFFICIENT USE

Please follow the below instruction,you could save energy.

- To prevent cold air from escaping,open and colse the door quickly and keep the door opened for as short a time as possible.
- Please install the unit in the place which is well-ventilated.

By the raise of circumstance temperature and water temperature,the ice-making capacity reduces.(Details in graph down)



Note: this graph show the actual ice-making capacity by10℃ water:
as water temperature raise,ice-making capacity reduces.

UNIT HEIGHT ADJUSTMENT

The unit height can be adjusted by revolve the adjustable leg.

CLEANING



WARNING

To prevent any electrical shock hazards or injury by rotating circulation fan, always disconnect the power cord plug from the wall outlet before cleaning.

CLEAN CONDENSER

- Clean condenser once half year to keep it well-ventilated.
- Cut power off and cool condenser before cleaning.
- Don't touch the aliform pieces during cleaning to avoid cut.
- After taking out the left flank faceplate, use cleaner or brush to do it.



Cleaning condenser

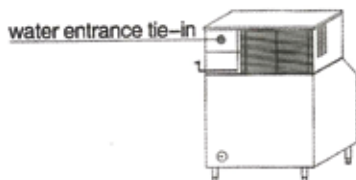
CLEAN EVAPORATOR AND FLOWING WATER PIPE

- Clean evaporator and flowing water pipe once three month to keep.
- After taking out it well-ventilated blaking water board, use brush to do it.



CLEAN WEV.FILTER

- Wrest the water pipe in back of unit, clean water filter.



- Clean the cooler regularly to keep it clean at all times.
- Never use polishing powder, soap powder, benzene, oil or hot water as these will damage the painting and plastics components.



WARNING

WARNING: Do not splash water directly onto the cooler and not wash with water. Short-circuit and electrical shock could result.

IN CASE OF THE FOLLOWING

1 WHEN NOT USED FOR ALONG PERIOD

- Remove all items from the compartment and disconnect the power cord plug from the wall outlet.
- Clean the compartment interior and wipe away all water.
Come away the water supply pipe from the back of unit, and drain all water in it.
- To prevent mold formation and bad smell, leave the door open to dry the compartment completely

2 TRANSPORTATION

- Disconnect the power cord plug from the wall outlet.
- When moving the ice maker, make sure that the feet do not damage the power cord.
- Do not let the feet hit against floor steps, thresholds, etc.

3 TEMPORARY STORAGE

- Affix a piece of wood, etc. Between the door and main unit to prevent complete closing of the door
- Make sure not to store the unused ice maker at a location where children play.
- Should a child enter the compartment and the door is closed, the child may not be able to open the door from the inside.

BEFORE REQUESTING SERVICE

Please check the following items if you encounter problems with the unit. If the problem continues after taking the proper remedial actions, disconnect the power cord plug from the wall outlet.

Transfer the ice stored in the ice maker to a box or other container. Then contact the dealer from whom you purchased this unit and be ready to provide information as listed in "REQUIRED INFORMATION" below.



To prevent any electrical shock hazards, do not disconnect the power cord plug from the wall outlet with wet hands.

BEFORE REQUESTING SERVICE

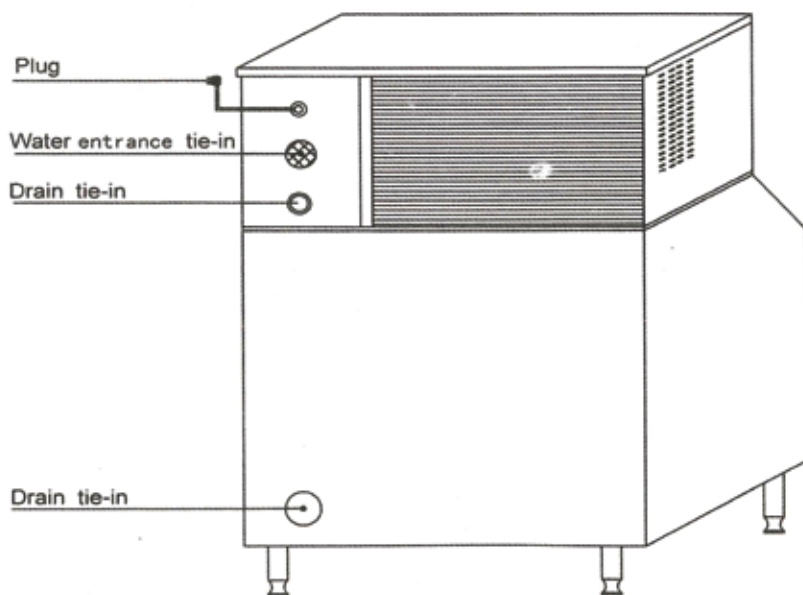
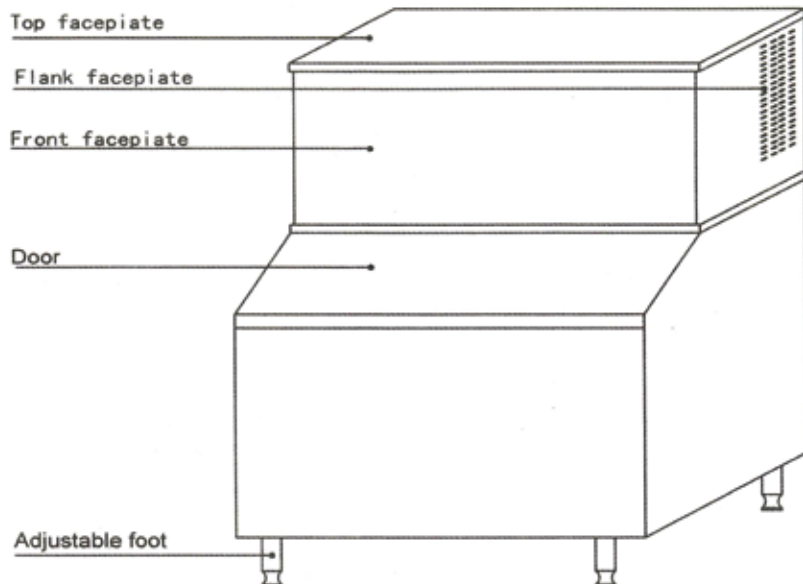
No refrigeration at all	<ul style="list-style-type: none"> ● Is the power supply interrupted? ● Is the power cord plug disconnected from the wall outlet? ● Are the shop's power fuses blown and/or the circuit breaker activated?
Inadequate refrigeration	<ul style="list-style-type: none"> ● Is the temperature setting appropriate? ● Are items obstructing the cold air inlet and suction outlet? ● Are stored items packed too tight? ● Is the door open or is it opened and closed frequently? ● Is the condenser clogged?
Excessive noise	<ul style="list-style-type: none"> ● Are all feet in firm contact with the floor? ● Is the rear panel of the ice maker contacting the wall or other objects? ● Are other objects in contact with the ice maker?
Condensation on cooler exterior	<ul style="list-style-type: none"> ● Condensation may condense on the exterior and door during hot and humid days or depending on the place of installation. This occurs when the humidity is high and water particles in the air contact cold surfaces. This is normal. wipe away condensation with a dry cloth.

REQUIRED INFORMATION

- | | |
|--|---|
| ① Nature of malfunction
(as accurately as possible) | ④ Customer's name, address,
phone number |
| ② Product number | ⑤ Year and date of purchase |
| ③ Serial number | ⑥ Desired date for service visit |
- } (Inscribed on badge)

PART NAMES AND FUNCTIONS

MODEL: SM-150/250/450



SPECIFICATIONS

Product Name	ICE MAKER
Product NO.	SM-150/250
Ice-making Capacity(kg/24h)	150/250
Ice-storing Capacity(kg)	120
Total Input Power(w)	1000/1200
Outer Dimensions(mm)	764 x 606 x 528(W x D x H)
Dimension(mm)	840 x 680 x 610(W x D x H)
Ice Dimensions(mm)	22 x 22 x 22

Shipping bom

Name Product NO.	Ice maker	Infall pipe (3/4" 1500)	Drain pipe	Ice shovel	Wrappage	Instruction manual	Support feet	Spacer
SM-150/250	1	1	2	1	1	1	4	2

Product Name	ICE MAKER
Product NO.	SM-450
Ice-making Capacity(kg/24h)	450
Ice-storing Capacity(kg)	120
Total Input Power(w)	2200
Outer Dimensions(mm)	764 x 606 x 728(W x D x H)
Dimension(mm)	840 x 680 x 800(W x D x H)
Ice Dimensions(mm)	22 x 22 x 22

Shipping bom

Name Product NO.	Ice maker	Infall pipe (3/4" 1500)	Drain pipe	Ice shovel	Wrappage	Instruction manual	Support feet	Spacer
SM-450	1	1	2	1	1	1	4	2