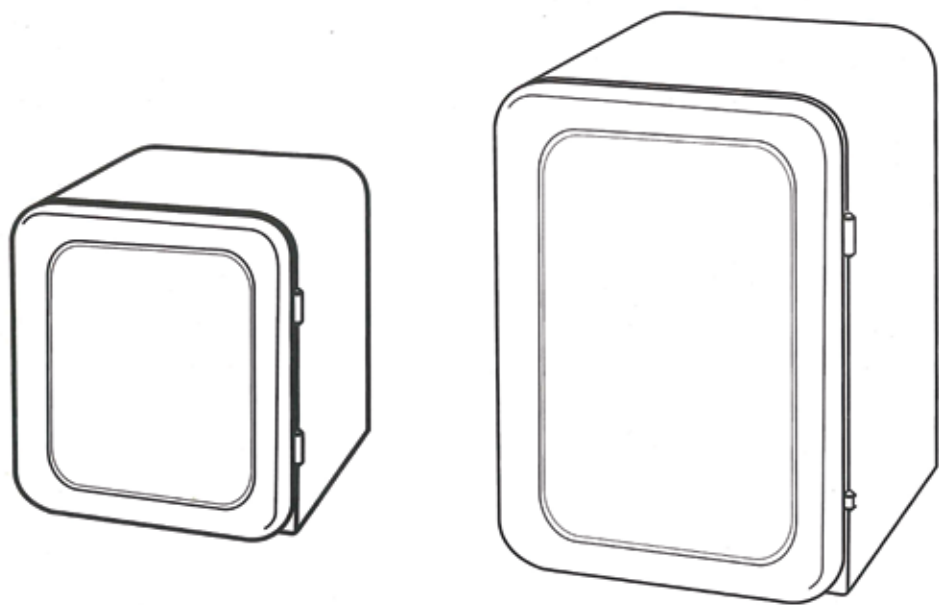


SnoMaster[®]

Installation and User Guide



Important Safeguards

Do not connect your appliance to the electricity supply until all packing and transit protectors have been removed.

Leave to stand upright for at least 4 hours before switching on to allow compressor oil to settle

This cooler must only be used for its intended purpose i.e the storing cooling of drinks in bottles, cans or plastic containers. It is not designed for foodstuff to be in direct contact with the internal surfaces.

Do not dispose of the appliance on a fire. Your appliance contains non CFC/HFC natural substances in the cooling system and in the insulation, which are potentially flammable if exposed to fire. Therefore, take care not to damage, the cooling circuit or pipes of the appliance in transportation and in use. In case of damage do not expose the appliance to fire or potential ignition source and immediately ventilate the room where the appliance is situated.

We suggest you contact your local authority for disposal information and facilities available. See installation section for information on suitable location.

On delivery, check to make sure that the product is not damaged and that all the parts and accessories are in perfect condition.

Ensure that the plug remains readily accessible. Do not use multiple adaptor or extension cables

Failure to observe these instructions may invalidate your right to free service during the guarantee period.

WARNING: Ensure adequate ventilation around the appliance. Do not site close to heat sources.

Important Safeguards

WARNING: Do not damage the refrigerant circuit.

We suggest you keep these instructions in a safe place for easy reference.

This appliance can be used by children aged from 8 years and above if they have been given supervision or instruction concerning use of the appliance in a safe way and if they understand the hazards involved.

Cleaning and user maintenance shall not be made by children unless they are older than 8 and supervised. Keep the appliance and its cord out of reach of children aged less than 8 years.

If the supply cord is damaged, it must be replaced by the manufacturer, its service agent or similarly qualified persons in order to avoid a hazard.

The plug must be accessible after the installation.

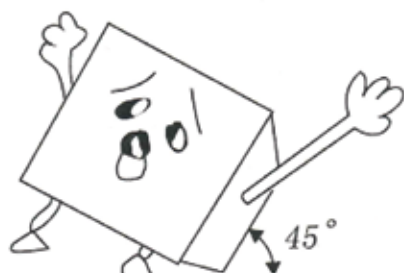
Children should be supervised to ensure that they do not play with the appliance.

CAUTION: In order to avoid a hazard due to inadvertent resetting of the thermal cutout, this appliance must not be supplied through an external switching device, such as a timer, or connected to a circuit that is regularly switched on and off by the utility company

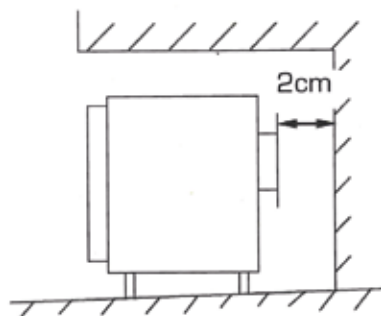
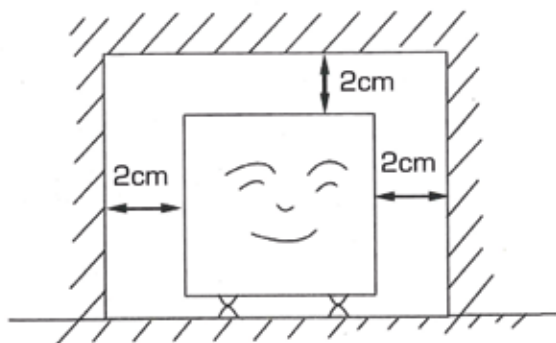
This appliance should only be connected to an earthed, switched mains socket. Do not use an extension cord with this appliance

Installation Notes

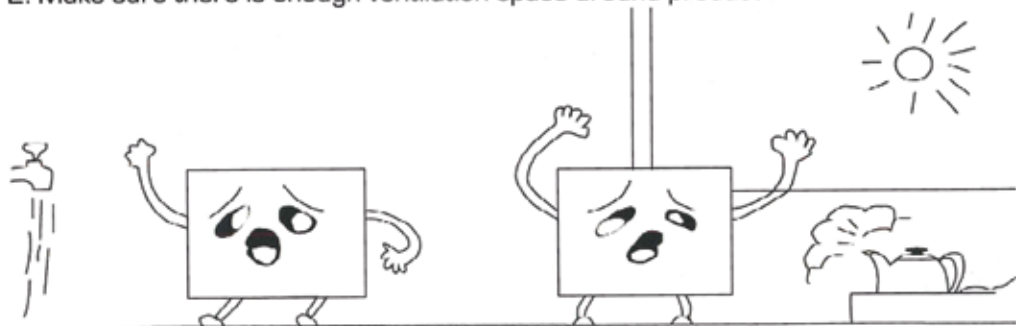
It is important that upon receipt you stand your appliance upright for at least 4 hours before switching on to allow the system to settle.



1. The appliance should not be tilted more than 45 degrees when you move it. Do not use force on any part such as the condenser, the door or handle. They could distort and affect the operation of the cooler. Ensure ALL packaging is removed before installation

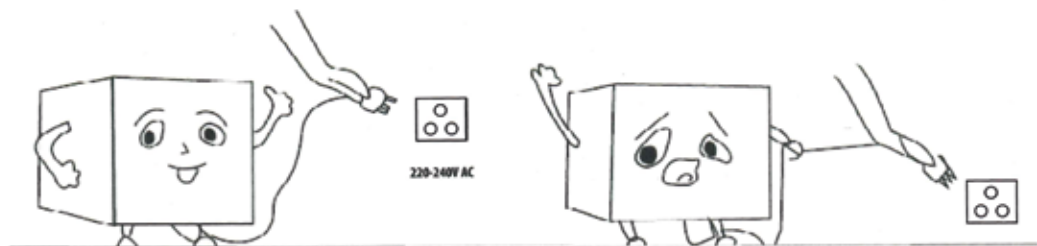


2. Make sure there is enough ventilation space around product



3. The appliance should not be installed near external heat sources eg direct sunshine - or external moisture sources.

Installation Notes



4. Ensure the supply voltage of socket is same as rating label.
5. The plug must be properly inserted to the wall socket.
6. **The mains supply socket must be earthed - preferably with a switch. If it is not earthed, do NOT install this appliance there. Do not use an extension cord**
7. The product is equipped with adjustable feet. Once the product is in place, adjust these to ensure the fridge is level and doesn't rock.

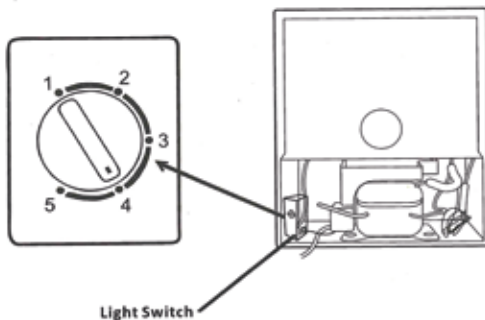
DO NOT SITE THE PRODUCT WHERE THE AMBIENT TEMPERATURE IS LIKELY TO DROP BELOW 5 DEGREES CENTIGRADE - EG: GARAGE OR SHED

First Time Use

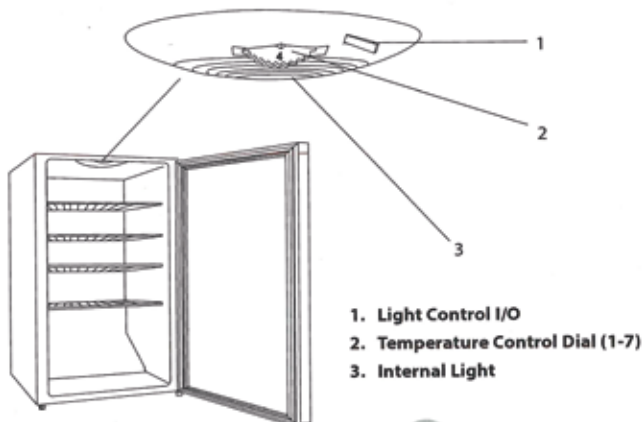
1. It is important that upon receipt you stand your appliance upright for at least 4 hours before switching on to allow the system to settle
2. When using the cooler for the first time, set the thermostat to setting 3 or 4. When the refrigeration system starts, you will hear the quiet hum of the compressor. You may also hear the circulation of liquids and gases. This is normal on first start up, Generally it will take 2-3 hours for the appliance to reach temperature. Once temperature has been reached then put the beverages inside.
3. See below for location of thermostat and light switch on this model.

SC-50

Back of unit



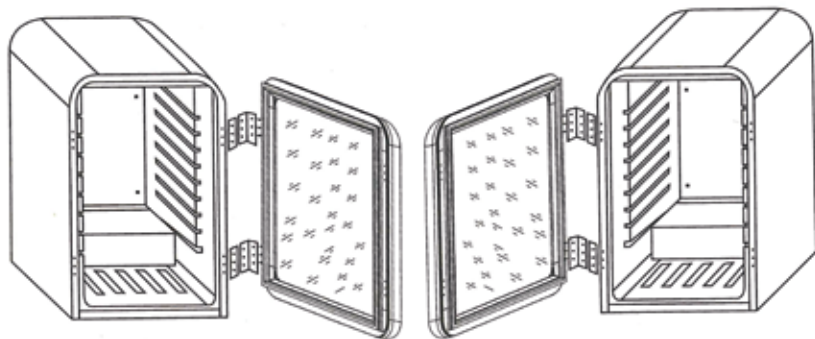
SM-200



Reversing the Door

The door of the cooler can be reversed quite easily. See the illustration below. It is best if you have a friend help you due to the weight, and to assist with alignment.

NOTE: Since reversing the door requires it to be inverted so the hinge mounts line up, it will result in your logo being upside down! Contact our service line if you need to order another one. Always unplug the cooler before reversing the door.



1. Support the door from the bottom
2. Remove the 6 screws that affix the hinges and spacers to the cabinet frame
3. Place the door on a flat, padded surface to prevent scratching
4. Remove the 6 screws that affix the hinges to the door
5. Remove the blanking plugs from the opposite side and use those to plug the holes exposed by the removal of the hinge from the cabinet frame
6. Screw the hinges to the opposite side of the door
7. Pick up the door and carefully align it with the cabinet holes
8. Screw the remaining 6 screws in to both hinges and the 2 spacers into the cabinet to secure the door.

Troubleshooting

| | |
|--|---|
| Condensation on outside of door | Humidity in the room is high. This is also to be expected if the room is very warm |
| Condensation on the inside of the cabinet | This is also caused by high humidity. You can minimise this by only keeping the door open only as long as you need to . |
| Too cold/ not cold enough inside the cabinet | Adjust thermostat up or down accordingly. Make sure nothing is stopping the door from sealing properly |
| No power to cooler | Check power cord, power supply or on/off switch |

Cleaning & Maintenance

DAILY CLEANING

The outside of your refrigerator can be cleaned using a soft cloth moistened with a mild detergent solution. Wipe dry with kitchen towel.

Do not use chemical or abrasive cleaners on any part of your refrigerator as these could permanently damage or discolour the surfaces.

INTERNAL CLEANING

Wipe up any internal spills immediately with a soft cloth moistened with a mild detergent solution. Dry thoroughly.

SHELVES AND GUARDS

Any shelves can be removed and cleaned separately.

DOOR SEALS

Ensure that the door seals are kept free from debris at all times. If they don't seal properly this can waste energy and cause refrigeration unit to over run