



Refrigerator - freezer

Instruction Manual

Model: SMDZ-CL56D SMDZ-CL72D
SMDZ-EX66D SMDZ-EX85D

The SnoMaster range of Products have been designed and manufactured to suit South Africa Climate conditions, since 2004 SnoMaster Products are manufactured to the highest possible quality by a dedicated team and is serviced both locally and internationally.

This booklet is to provide you with information on how to operate and care for you unit, in order to gain maximum benefit and years of trouble free use.

Please read this instruction manual before use

manufacturer and the seller do not accept responsibility for any damage due to incorrect electrical installation.

Battery cut-out 12V/24V DC operation

- ✧ The control system allows for the voltage cut-out to be set to three (3) different settings depending on the environment & situation that the appliance is being operated in. Low voltage supply to the appliance can result in poor cooling performance and damage to the battery.
- ✧ when using 12V DC, the digital readout will show the factory setting 10.0V DC. To ensure that suitable battery voltage can be maintained the controller has been programmed for three (3) cut-out levels-11.8, 10.7 & 10.0V DC.
- ✧ When using 24V DC, the digital readout will show the factory setting 22.2V DC. To ensure that suitable battery voltage can be maintained the controller has been programmed for three (3) cut-out levels-25.0, 23.5& 22.2V DC.
- ✧ To set the battery cut-out to the required level follow these steps:
 - ①.Push the “SET”button twice, the digital readout “G”will show the current setting.
 - ②.Push the “B”or “C”to adjust the setting. The display will flash four (4) times with the selected setting. To check press button “SET” once and the selected setting will flash and then return to the current voltage input.

When the appliance is disconnected from the power source the battery cut-out remains at its last setting.


Temperature adjustment

- ✧ When the freezer is connected to the power outlet, press the“set”button, the LED will display the factory pre-set freezing temperature of -18°C.
- ✧ Temperature adjustment:
 - ①.Press the“set”button.
 - ②.While the LED is flashing, press “+”or “-”button to reach the required temperature.
 - ③.Both compartments can be set as fridge or freezer.

Speed model setting

- ✧ Press“speed” button to change from High、Auto、 Low speed.

Power model setting

- ✧ Press button “” to start and stop the unit. When the unit is power off, the LED will display OFF.

Encoded remote(Allowing you to change the frequency on your remote)

- ✧ This will allow you to set the remote to match the code on your fridge.Meaning you cannot change the temperature settings on another unit at the same time.
- ✧ To change the code on your unit,hold the – button in for 10 seconds the code will flash that the unit has been set to.Then press the up or down arrow to change the code.
- ✧ To match the code on the remote,hold the down arrow for 10 seconds until the code flashes on the remote.Press the up or down arrow to match the code that you have .

- ◇ set your temperature controller on your fridge /freezer.

LED light & alarm

- ◇ Your freezer is fitted with an LED light to illuminate the cabinet in the dark. The LED will turn on when the door is opened and turn off when the door is closed.
- ◇ An alarm is fitted that will alert you if the door has not been closed properly or has been left open for a period of more than two (2) minutes.

Foods storing

- ◇ Fresh foods should not be stored together with frozen foods.
- ◇ When the temperature is set below 0°C, do not keep glass-bottled drinks such as beer and lemonade as the bottles might crack.

Defrosting and De-odorizing

- ◇ When the ice layer on the inner cabinet sides is over 5mm, defrosting operation should be performed to improve the refrigerating efficiency.
- ◇ Switch off power, remove all items, pull out the drain plug and drain all water. After defrosting and all the water has drained out, clean with a soft cloth and switch the appliance on.
- ◇ Note: never remove ice with sharp objects.
- ◇ Place charcoal in the appliance to remove any bad odours.

Maintenance and regular cleaning

- ◇ Always disconnect the power cable before cleaning.
- ◇ Clean the inside of the cabinet whenever necessary using a warm solution of water and bicarbonate of soda (1 tablespoon to every 2 liters of water) dry with a soft cloth.
- ◇ Stainless steel should be cleaned with dedicated stainless steel cleaners. Do not use silver or brass cleaners pot scourers or aggressive detergents to clean the inner liner.
- ◇ Dirt from the condenser should be cleaned by a qualified technician when necessary.

Not a malfunction

- ◇ It is normal to hear gurgling sounds caused by the flow of refrigerant when each cooling cycle ends.
- ◇ The surface temperature of the compressor can reach 70~90°C when running.
- ◇ In rainy season, moisture will condense on the surface of the cabinet. Wipe off with a soft cloth.
- ◇ The noise emitted by the cooling fan on the condenser is a normal condition.
- ◇ The fan in the power supply runs when the temperature of the power supply exceeds approximately 35°C.

Troubleshooting

Problem	Cause	Remedy
The Compressor runs for 1~5 minutes and stops	The ambient temperature is too high and exceeds the allowable range of the freezer.	Select a well-ventilated place, keep the freezer away from direct sunlight.
	The voltage is not in the normal range.	Switch off power and restart when power is normal

The compressor runs but inner liner does not get cold	The refrigerant has leaked.	Contact your local dealer.
	The system is blocked.	
The inner liner is very cold and the compressor runs continuously.	The ice layer on the evaporator is too thick.	Defrost.
	The door is being opened and closed too frequently.	The door should be opened as little as possible.
	The freezer is overloaded.	Remove some product.
	The condenser is not well-ventilated.	Select a well-ventilated place.
	The controller is faulty	
	The temperature-sense is faulty.	Contact the local dealer.
	The ambient temperature is too high and the thermostat is set too low.	The thermostat should be set higher use as a Freezer.
The compressor does not run.	“+” and “-” are switched.	Rectify.
	The controller is faulty (the power indicator is not on).	Contact your local dealer.
	The thermostat is set too high; the ambient temperature is too low.	Use as a freezer.
The freezer is noisy.	The freezer is not level.	Make the freezer level.
	Some parts come loose.	Contact your local dealer
	The pipes are touching.	Contact your local dealer.
Temperature controller displays “OC”	Sensor damaged.	Contact your local dealer
	The thermostat is faulty.	
Temperature controller displays “SC ”	Sensor damaged.	Contact your local dealer
	The thermostat is faulty.	

Main technical parameter

Model	SMDZ-CL56D	SMDZ-CL72D	SMDZ-EX66D	SMDZ-EX85D
Right hand side efficient volume:	30L	40 L	36L	48 L
Left hand side efficient volume:	26L	32L	30L	37L
Input power:	75W	75W	75W	75W
Temperature of refrigerating:	10℃~22℃	10℃~22℃	10℃~22℃	10℃~22℃
Dimension(L x D x Hmm):	740x495x520	740x495x600	825x510x535	825x510x630

Safety:

- ◇ A separate earthed 15A socket outlet should be used on 230V AC and at least a 120W DC socket on 12V or 24V DC.
- ◇ Voltage range : 100volts -240volts
- ◇ If AC voltage has been unstable, wait three minutes before restarting.
- ◇ when both AC and DC are connected, the freezer will run on AC power.
- ◇ Allow approximately 3~5 minutes for start up on 12V when AC power is disconnected.
- ◇ In the event of any malfunction of your freezer, please contact the nearest service agent.
- ◇ The appliance may be connected to more than one source of energy (AC or DC).

Caution:

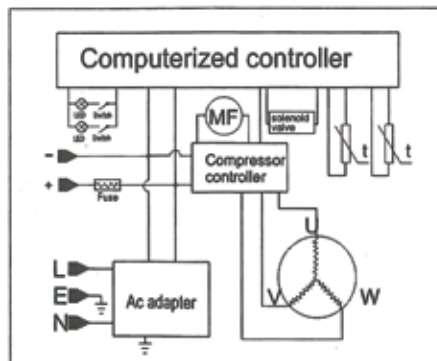
- ◇ This appliance is not intended for use by persons (including children) with reduced physical, sensory or mental capabilities, or lack of experience and knowledge.
- ◇ Children should be supervised to ensure that they do not play with or inside the appliance.
- ◇ This appliance is not intended for use by young children.
- ◇ This appliance is suitable for camping and vehicle use.
- ◇ This appliance must not be exposed to rain.
- ◇ If the supply cord is damaged, it must be replaced with the same type.
- ◇ Do not insert fingers into grills.
- ◇ Do not store explosive substances such as aerosol cans with a flammable propellant in this appliance.
- ◇ Replacing the interior lamp:
 1. Unplug the cooler or disconnect power..
 2. Remove fixing screws.
 3. Remove the LED light.
 4. Replace with a new LED light that is the same shape and size.
 5. Use a screwdriver to tighten screw.

Warning:

- ◇ Keep well ventilated.
- ◇ Do not use sharp objects to defrost.
- ◇ Keep ventilation openings clear of obstructions.
- ◇ Do not damage the refrigerant circuit.
- ◇ Do not use electrical appliances inside the food storage compartments of the appliance, unless they are of the type recommended by the manufacturer.
- ◇ Before obtaining access to terminals, all supply circuits must be disconnected.

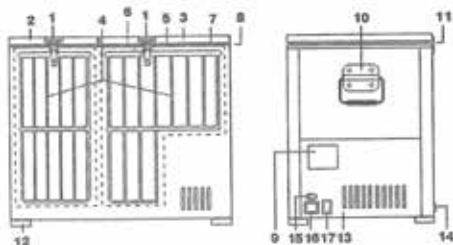
NOTE:Its advisable to run your unit regularly , this will prolong the life of the cooling system

Circuit Diagram



Identification

1. Handle
2. Insulated freezer lid
3. Insulated Fridge lid
4. Steel baskets
5. Door gasket
6. Latch
7. Lid inner liner
8. PVC lid frame
9. Temperature controller
10. Side handle
11. Lid hinge
12. Feet
13. Grill
14. Drain plug
15. DC connector
16. AC connector
17. Fuse



Temperature controller diagram:



- A. SET: Set button
B. Button for adjusting temperature +
C. Button for adjusting temperature-
D. Running indicator: green when running normal.
E. Button for power ON/OFF
F. Alarm indicator: when the power is too low, the battery indicator will flash
G. LED indicator: display the temperature ($^{\circ}\text{C}$), voltage and battery condition
H. Temperature read out freezer or fridge
I. SPEED :Press SPEED button to switch from High speed, Auto,Low speed.
a)High: Red LED on,Compressor running at MAX speed, apporximate 3500rpm.
b)Auto: Yellow LED on,Compressor Speed controlled electronically.
c)Low Speed: Green LED on,Compressor running at MIN speed, apporximate 2400rpm.

Movement and Installation

- ◇ When moving the freezer, the angel between the cabinet and the ground should not be less than 45° in order to protect the compressor and refrigeration system.
- ◇ Position the freezer in a dry and well-ventilated area. Away from heat sources such as direct sunlight, Heaters ,stoves and corrosive gases.
- ◇ The normal operation of the freezer depends on the heat radiation of the condenser. For the initial use, the packing foam must be taken off and at least 150mm space must be left around the freezer.
- ◇ The appliance must be earthed and connected to a suitable 230V or 12V/24V socket. The